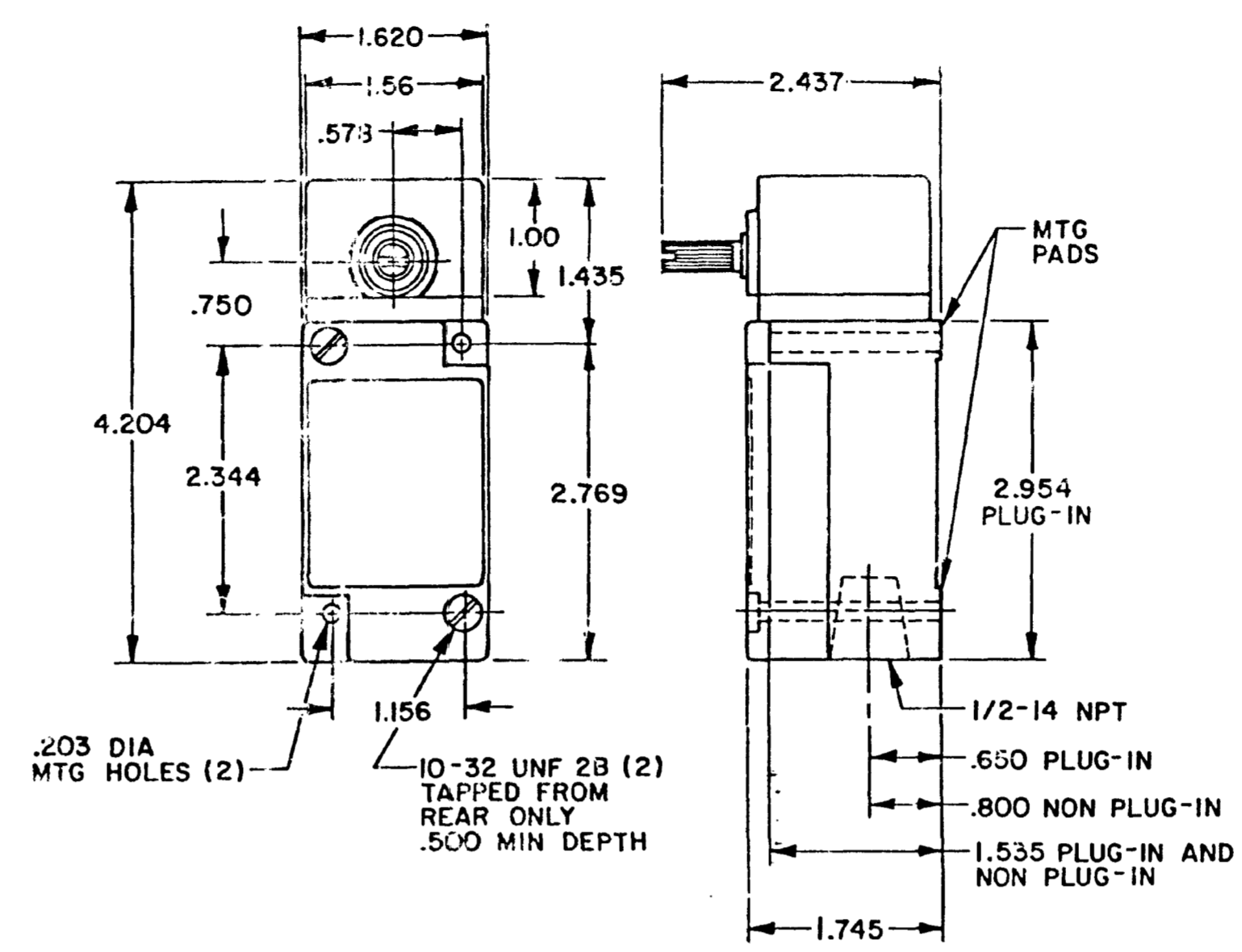


OPERATING CHARACTERISTICS	LSA		LSR		LSN	LSP		LSH	
	MOMENTARY		MOMENTARY LOW TORQUE		MAINTAINED	MOMENTARY LOW PRETRAVEL AND DIFF. TRAVEL		MOMENTARY LOW PRETRAVEL AND LOW TORQUE	
PRETRAVEL(MAX)	15°		15°		65°	9°		9°	
OVERTRAVEL(MIN)	60°		60°		20°	66°		66°	
DIFFERENTIAL TRAVEL(MAX)	SINGLE POLE	DOUBLE POLE	SINGLE POLE	DOUBLE POLE	40°	SINGLE POLE	DOUBLE POLE	SINGLE POLE	DOUBLE POLE
	5°	7°	5°	7°		3°	4°	3°	4°
TOTAL TRAVEL (REF)	75°		75°		90°	75°		75°	
OPERATING TORQUE(MAX)	4 IN. LBS		1.7 IN. LBS		4 IN. LBS	4 IN. LBS		1.7 IN. LBS	
FULL TRAVEL TORQUE(MAX)	4 IN. LBS		1.7 IN. LBS			4 IN. LBS		1.7 IN. LBS	
OPERATING CHARACTERISTICS	LSU		LSL		LSM	LST	LSS		
	LOW PRETRAVEL		SEQUENCE DOUBLE POLE ONLY		CENTER NEUTRAL DOUBLE POLE ONLY	MOMENTARY	GRAVITY RETURN		
PRETRAVEL(MAX)	5°		1ST STEP 15° 2ND STEP 10° ADD'L		18°	15°	NOT APPLICABLE		
OVERTRAVEL(MIN)	70°		46°		57°	60°	NOT APPLICABLE		
DIFFERENTIAL TRAVEL(MAX)	SINGLE POLE	DOUBLE POLE			10°	5°	12°		
	5°	4°							
TOTAL TRAVEL (REF)	75°		75°		75°	75°	360°		
OPERATING TORQUE(MAX)	4 IN. LBS		4 IN. LBS		4 IN. LBS	12 IN-OZ	5 IN-OZ		
FULL TRAVEL TORQUE(MAX)	4 IN. LBS		4 IN. LBS		4 IN. LBS	12 IN-OZ	5 IN-OZ		

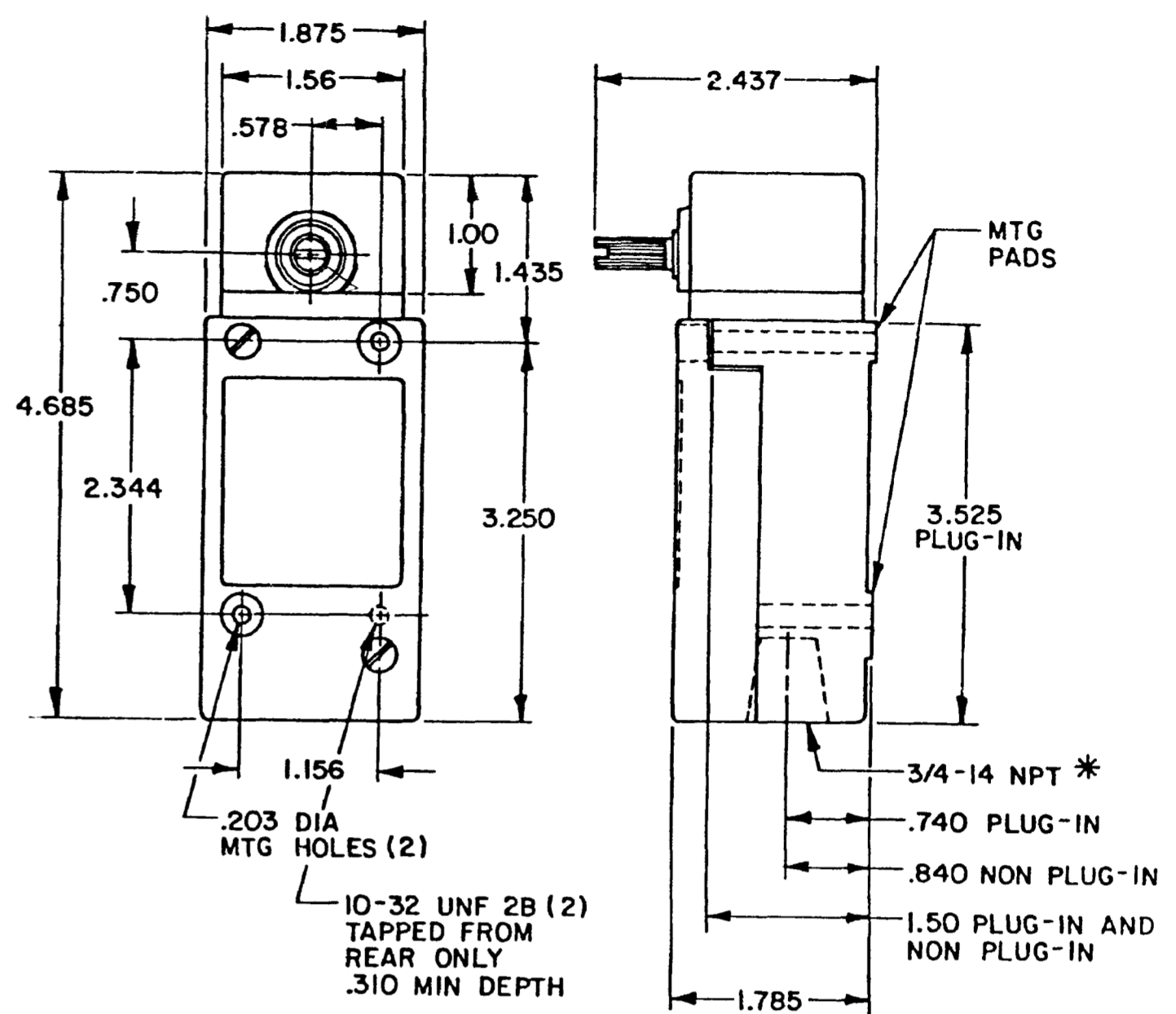
SIDE ROTARY

SINGLE POLE



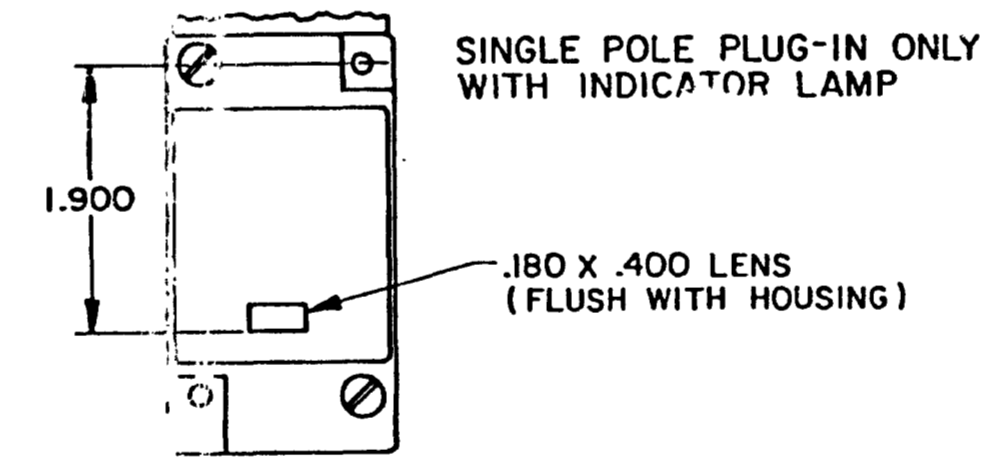
TYPE: LSA1, LSH1, LSN1, LSP1, LSR1
LSA3, LSH3, LSN3, LSP3, LSR3
LSS1, LST1

DOUBLE POLE



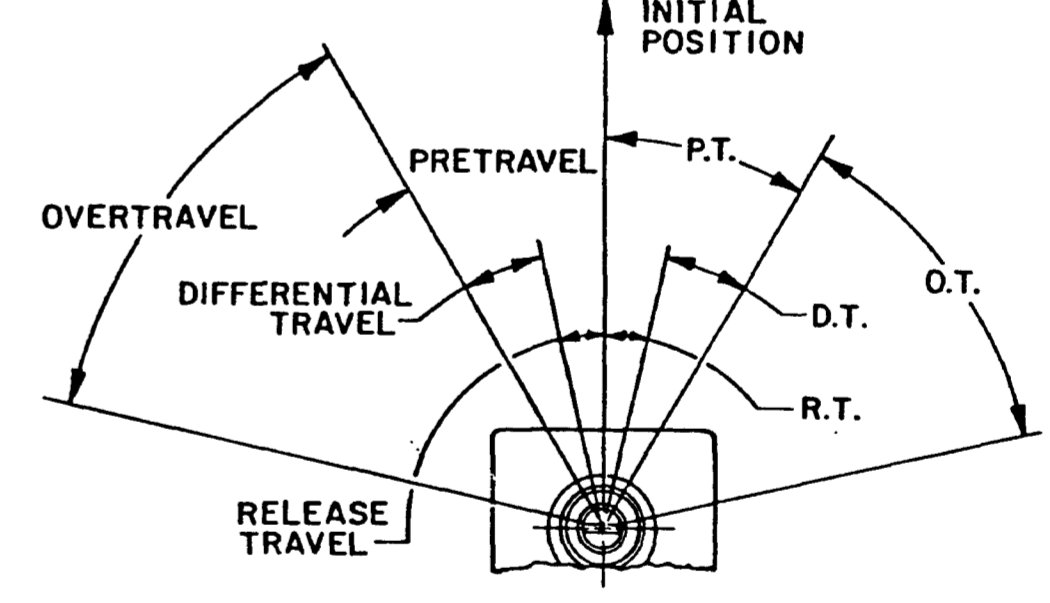
TYPE: LSA2, LSH2, LSM2, LSN2, LSP2, LSR2
LSA4, LSH4, LSM4, LSN4, LSP4, LSR4

*LSA6, LSH6, LSM6, LSN6, LSP6, LSR6
LSA7, LSH7, LSM7, LSN7, LSP7, LSR7 HAVE
1/2-14 NPT CONDUIT HOLE

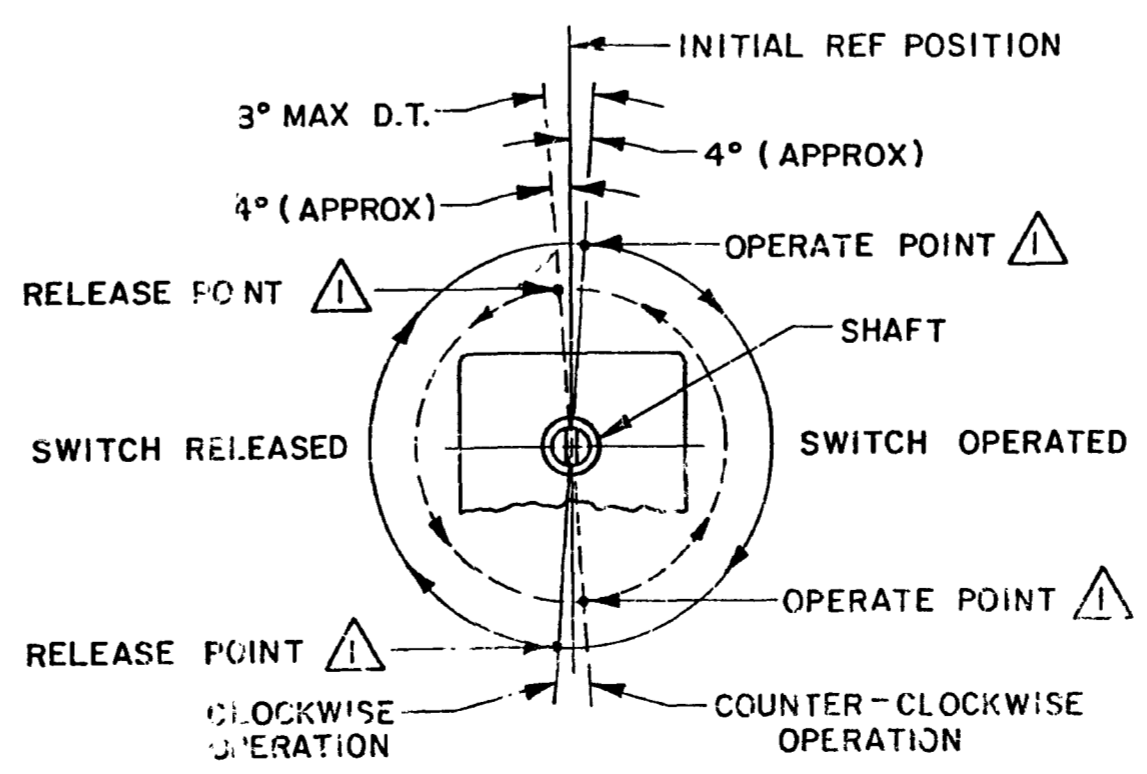


120 LAMP VOLTAGE -
TYPE LSA5, LSH5, LSN5, LSP5, LSR5
240 LAMP VOLTAGE -
TYPE LSA8, LSH8, LSN8, LSP8, LSR8

OPERATING DATA-SIDE ROTARY

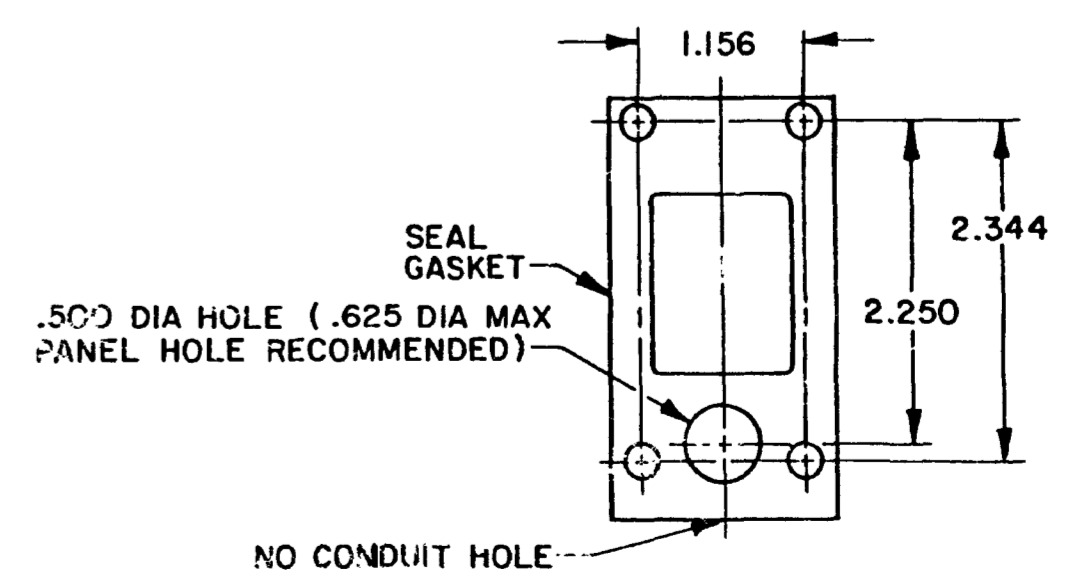


OPERATING DATA SIDE ROTARY-GRAVITY RETURN



NOTE
△ OPERATE AND RELEASE POINTS WILL EXCHANGE LOCATIONS IF SHAFT IS ROTATED 180°

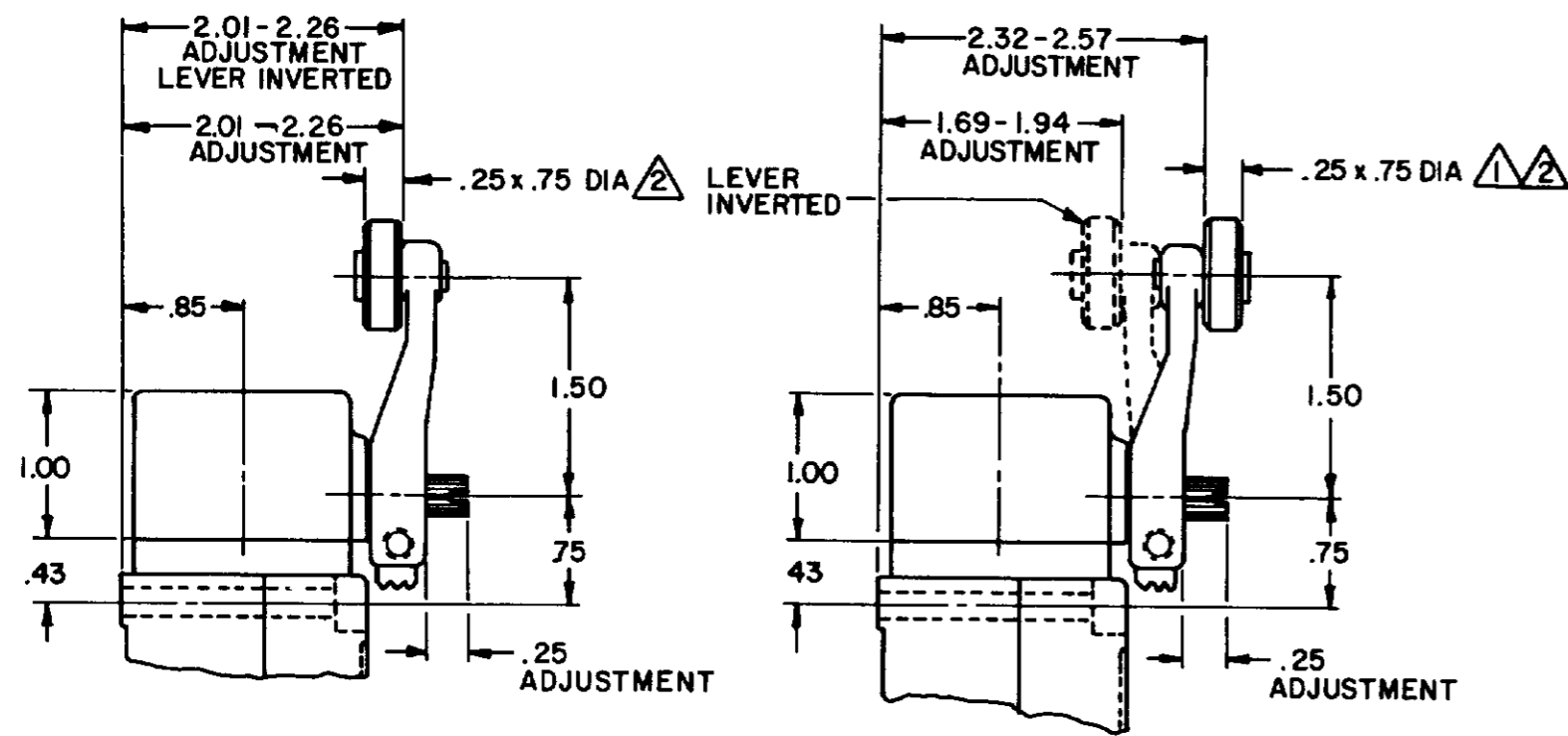
MANIFOLD MOUNT (PLUG-IN ONLY) SINGLE POLE AND DOUBLE POLE TYPE LSA THROUGH LSW SERIES



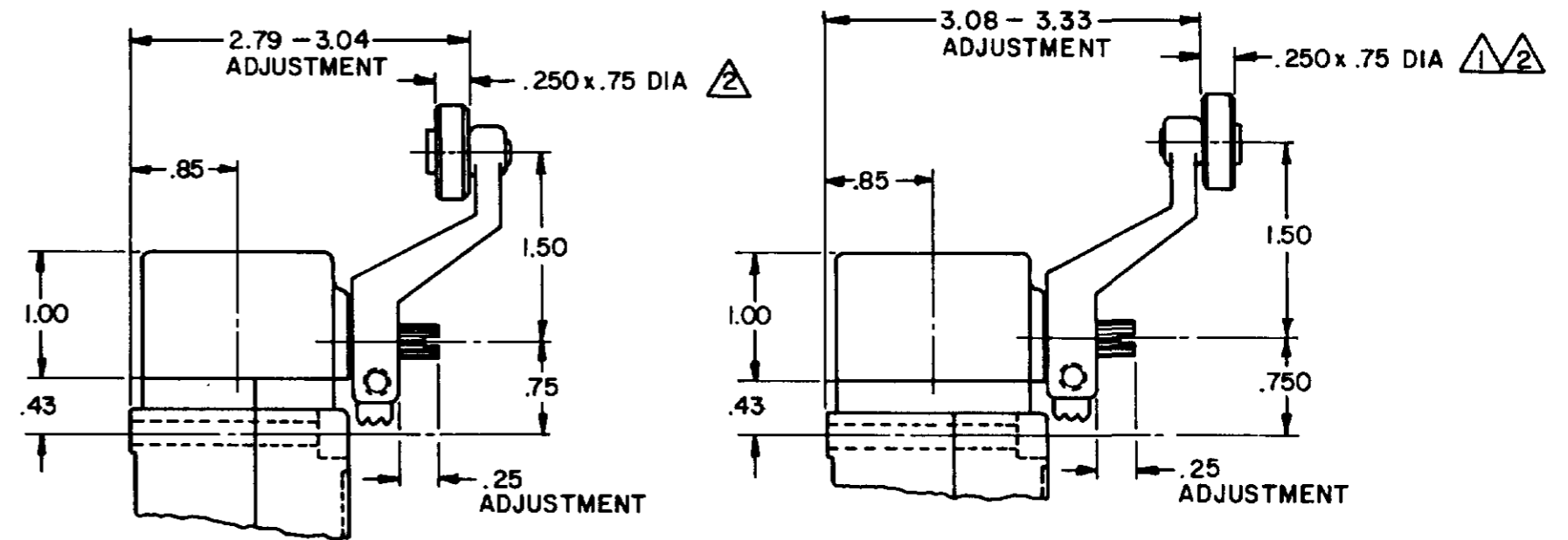
MAM 15 JUN 94
 RASTER DRAWING
 CHECKED: JAF
 DATE: 11 JUL 94
 ISSUE: 12
 LSA-LSW SERIES CHART 1
 MICRO SWITCH
 PAGES: 1 OF 10
 RELEASE NO: CO-78498
 DRAWINGS: LSA-LSW SERIES

THIS DRAWING COVERS A PROPRIETARY ITEM AND IS THE PROPERTY OF MICRO SWITCH A DIVISION OF HONEYWELL THIS DRAWING IS NOT TO BE COPIED OR USED WITHOUT THE APPROVAL OF MICRO SWITCH		
MICRO SWITCH a Honeywell Division FED. MFG. CODE 91929	SWITCH - ENCLOSED	LSA-LSW SERIES CHART 1
PAGE 1 OF 10		THIRD ANGLE PROJECTION SCALE NONE DO NOT SCALE PRINT UNLESS OTHERWISE SPECIFIED TOLERANCES ARE ONE PLACE (.0) ±.030 TWO PLACES (.00) ±.015 THREE PLACES (.000) ±.005 ANGLES ° ± WEIGHT

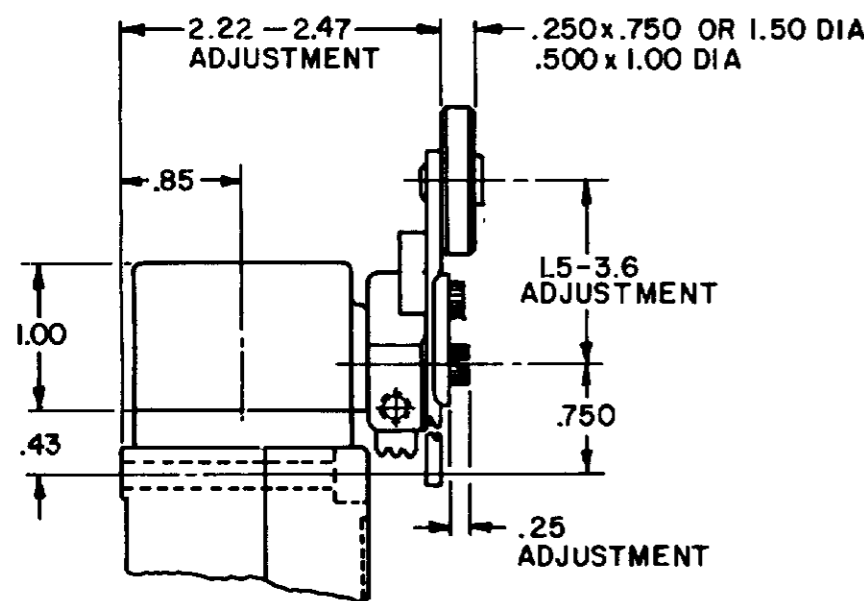
SIDE ROTARY CAM TRACKING



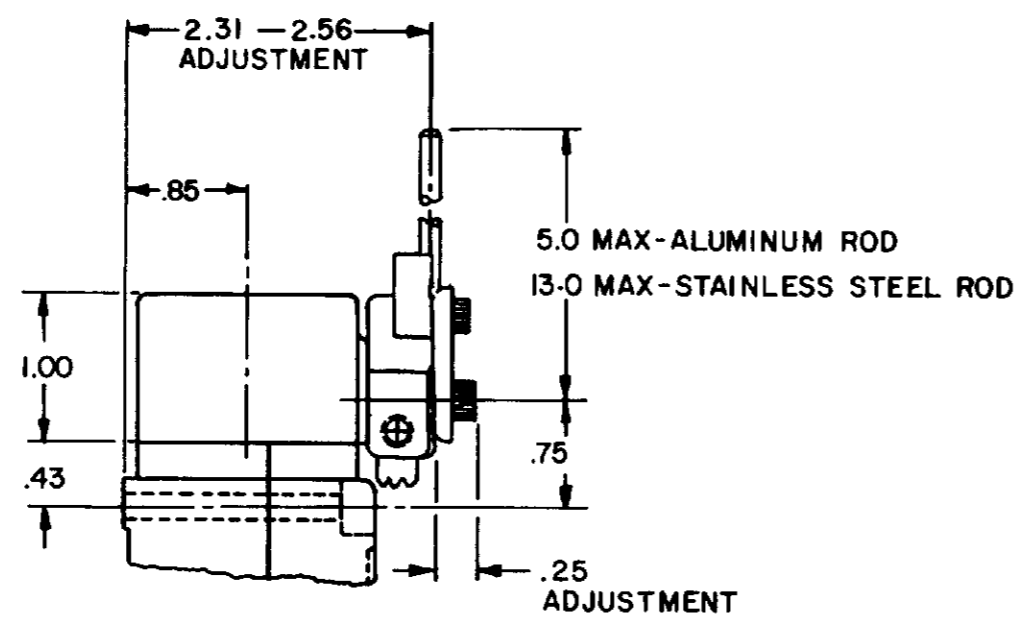
LSZ51 TYPE LEVERS



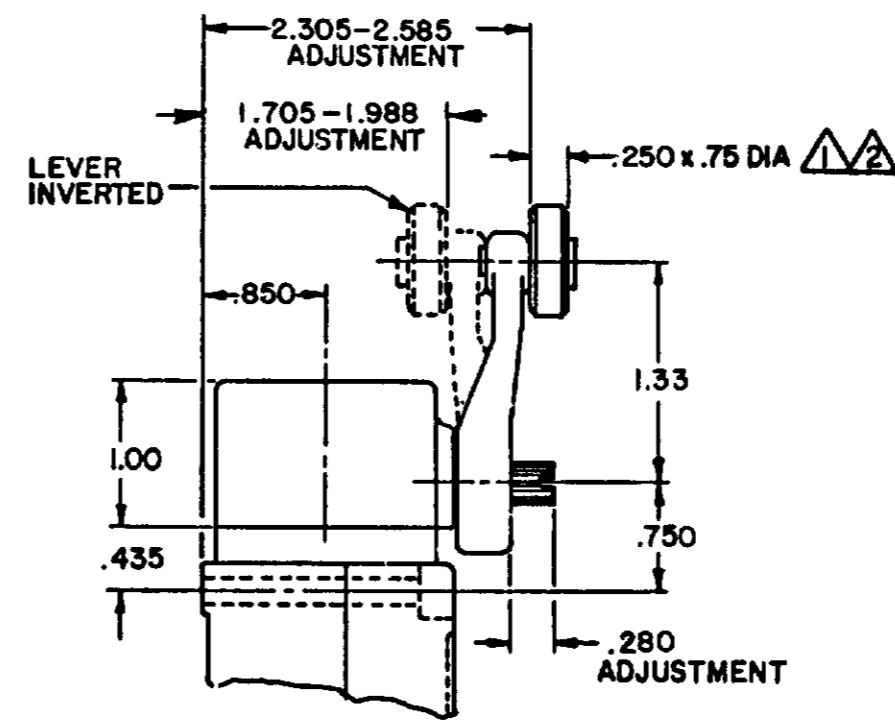
LSZ55 TYPE LEVERS



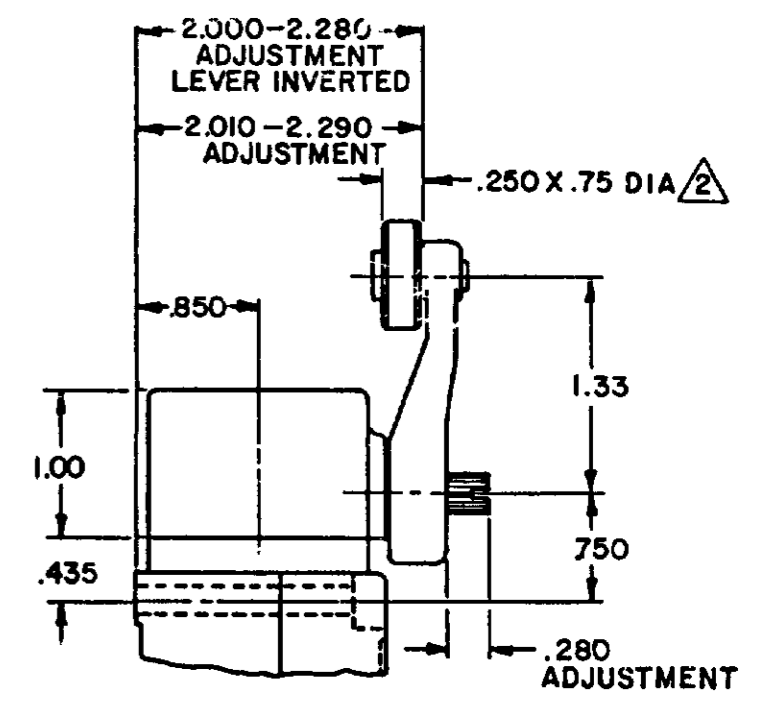
LSZ52 TYPE LEVER



LSZ54 TYPE LEVER



OPEN MOUNTED ROLLER



CLOSED MOUNTED ROLLER

LSZ59 TYPE LEVERS

NOTES

- 1 ALSO AVAILABLE IN Ø.250 X 1.500 NYLON, BUT LEVER CANNOT BE INVERTED
- 2 FOR ADDITIONAL ROLLER WIDTHS AND/OR DIAMETERS REFER TO "M" DRAWING
- 3 - FOR ADDITIONAL TYPES OF ROLLERS AND LEVERS REFER TO LSZ CHART 1 "M" DRAWING

CATALOG LISTING LSA-LSW SERIES CHART 1
 ISSUE 12
 PSR 10JUL07 RELEASE NO. CO-78498 REPLACES LSA-LSW SERIES
 CHECK 11AUG04
 REVISIONS
 L 0031956
 BS 10JUL07
 B 201004
 C SL 10AUG00
 C 201748
 C SL 17NOV00
 D 202198
 C SL 23JAN01
 E 204871
 C SL FEB 02
 F 206581
 GLH 14OCT02
 G 206763
 C SL 31OCT02
 H 207179
 GLH 14JAN03
 J 207474
 SL 18FEB03
 K 0006871
 RR 11AUG04
 DRAWN MAM 15 JUN 94
 CHECK JAF 11 JUL 94

THIS DRAWING COVERS A PROPRIETARY ITEM AND IS THE PROPERTY OF MICRO SWITCH, A DIVISION OF HONEYWELL. THIS DRAWING IS NOT TO BE COPIED OR USED WITHOUT THE APPROVAL OF MICRO SWITCH.		PAGE 2 OF 10
MICRO SWITCH a Honeywell Division FED MFG CODE 91929	SWITCH - ENCLOSED	CATALOG LISTING LSA-LSW SERIES CHART 1
THIRD ANGLE PROJECTION SCALE NONE DO NOT SCALE PRINT UNLESS OTHERWISE SPECIFIED TOLERANCES ARE: ONE PLACE (0) ±.030 TWO PLACES (.00) ±.015 THREE PLACES (.000) ±.005 ANGLES ± WEIGHT		WEIGHT

ISSUE 12 PSR 10JUL07 RELEASE NO CO-78498 REPLACES LSA-LSW SERIES

CATALOG LISTING
M LSA-LSW SERIES CHART 1
PAGE 3 OF 10

REV. S I O N S
L 0031958
M 1 JUL 07
B 201004
C 201748
D 202198
E 204871
F 206581
G 206763
H 207179
J 207474
K 0006871

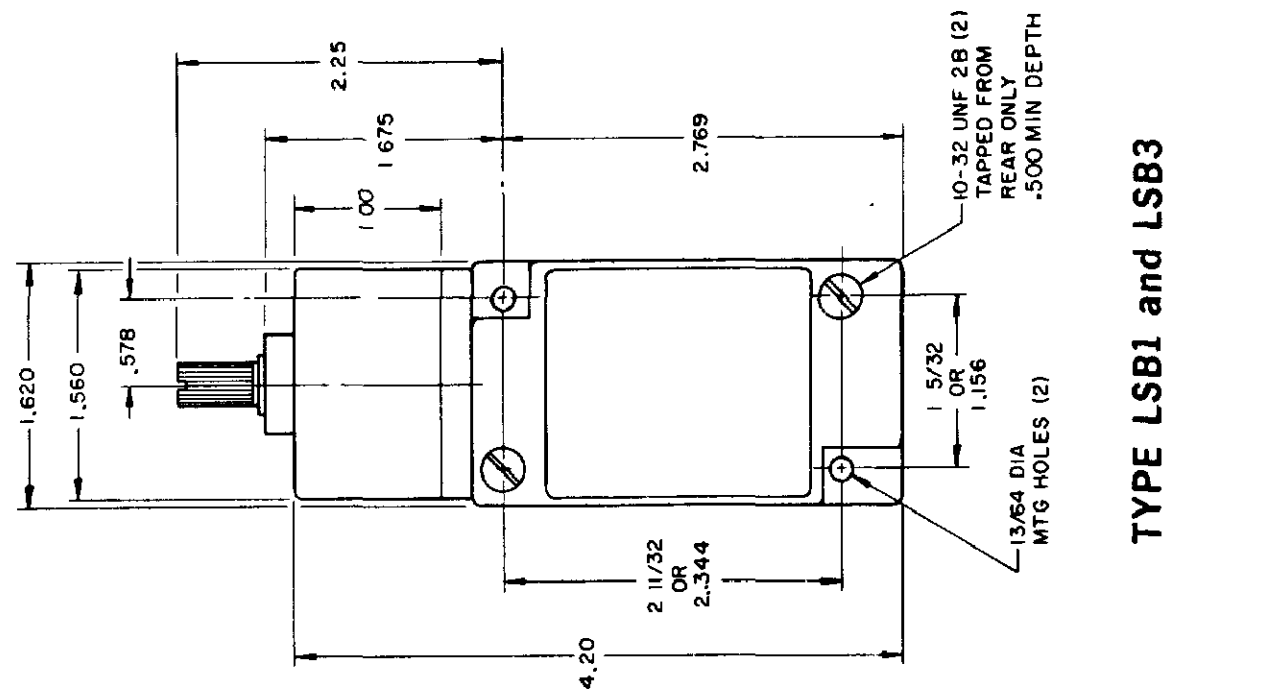
CHECK 11AUG04
CHECK 1 JUL 94
CHECK JAF

MAM 15 JUN 94

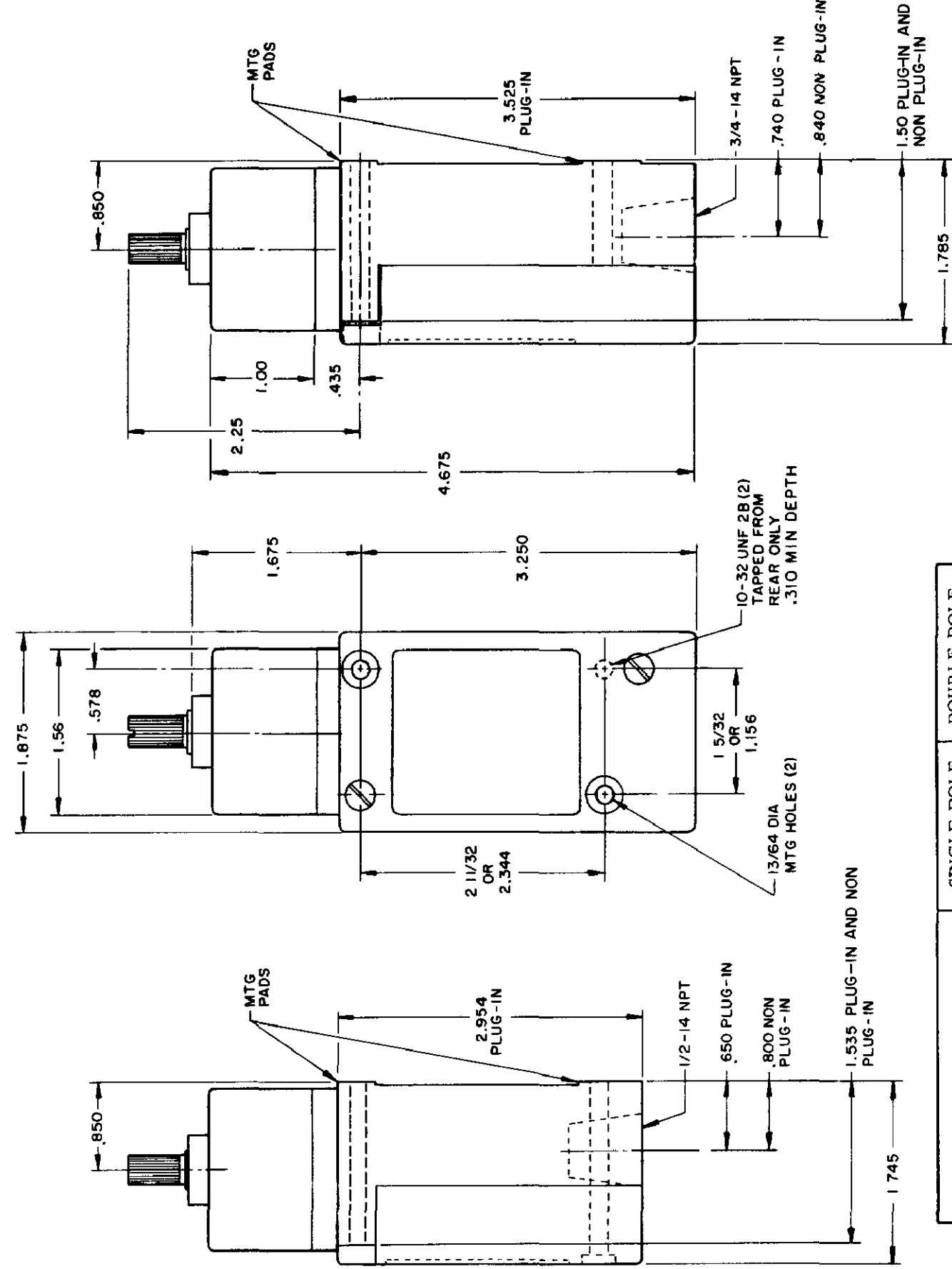
TOP ROTARY

SINGLE POLE

DOUBLE POLE



TYPE LSB1 and LSB3



TYPE LSB2 and LSB4
LSB6 and LSB7 have 1/2 - 14 NPT CONDUIT HOLE

	SINGLE POLE	DOUBLE POLE
PRETRAVEL MAX	25°	25°
OVERTRAVEL MIN	110°	110°
DIFFERENTIAL TRAVEL MAX	10°	12°
OPERATING TORQUE MAX	2.5 IN. LBS	2.5 IN. LBS
TOTAL TRAVEL (REF)	135°	135°

ELECTRICAL RATINGS

A.C. VOLTAGE	AMPS AT 35 POWER FACTOR			
	SINGL POLE		DOUBLE POLE	
	MAKE	BREAK	MAKE	BREAK
120	60	6	30	3
240	30	3	15	1.5
480	15	1.5	7.5	7.5
600	12	1.2	6	6

D.C. VOLTAGE	MAKE & BREAK	
	INDUCTIVE	RESISTIVE
120	0.25	0.80
240	0.15	0.40

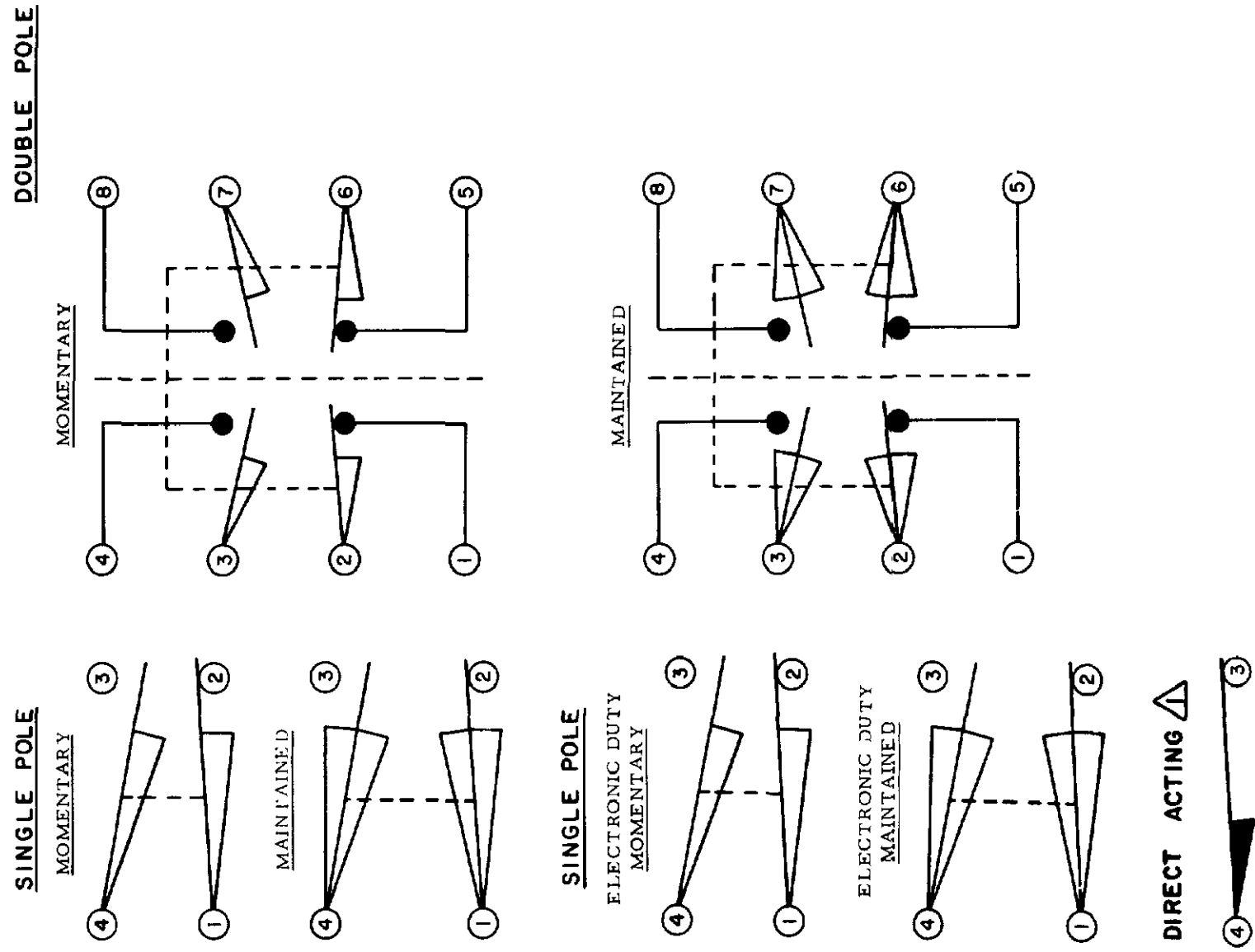
ELECTRONIC DUTY BASIC SWITCH
10 AMP CONT.

VOLTAGE	MAKE AND BREAK AMPS	
	INDUCTIVE	RESISTIVE
5 AC OR DC MIN	01 AMP MIN	
600 AC	720 VA	
240 DC	30 WATT	

DIRECT ACTING (ALSO RATED AT A.C. 10 AMP CONT.)

D.C. VOLTAGE	MAKE AND BREAK AMPS	
	INDUCTIVE	RESISTIVE
30	4.2	4.2
120	1.1	1.1
240	.55	.55

WIRING BASIC SWITCH
(SAME POLARITY MUST BE OBSERVED FOR EACH POLE)



NOTES
DIFFERENTIAL TRAVEL ON ALL OPERATING CHARACTERISTICS NOT APPLICABLE

RASTER

DRAWN

MAM 15 JUN 94

REVISIONS
L 0031956
B 9
10 JUL 07
B 201004
C 10 AUG 00
C 201748
17 NOV 00
D 202198
25 JAN 01
E 204871
17 FEB 02
F 206581
14 OCT 02
G 206763
31 OCT 02
H 207178
14 JAN 03
J 207474
18 FEB 03
K 0006871
11 AUG 04

AK 11AUG04

PSR 10JUL07

RELEASE NO CO-78498

REPLACES LSA-LSW SERIES

ISSUE 12

CATALOG LISTING

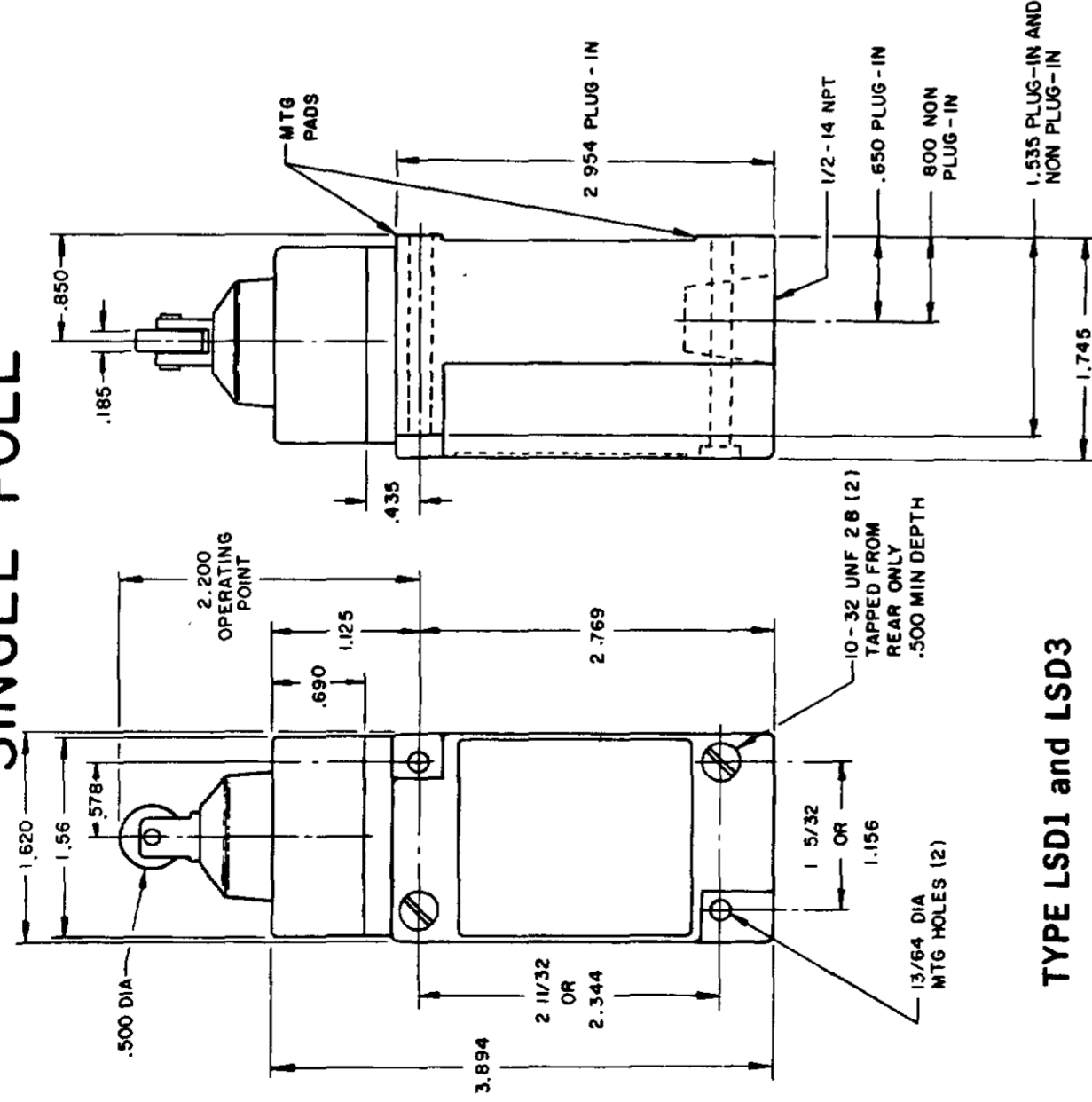
LSA-LSW SERIES CHART 1

PAGE 4 OF 10

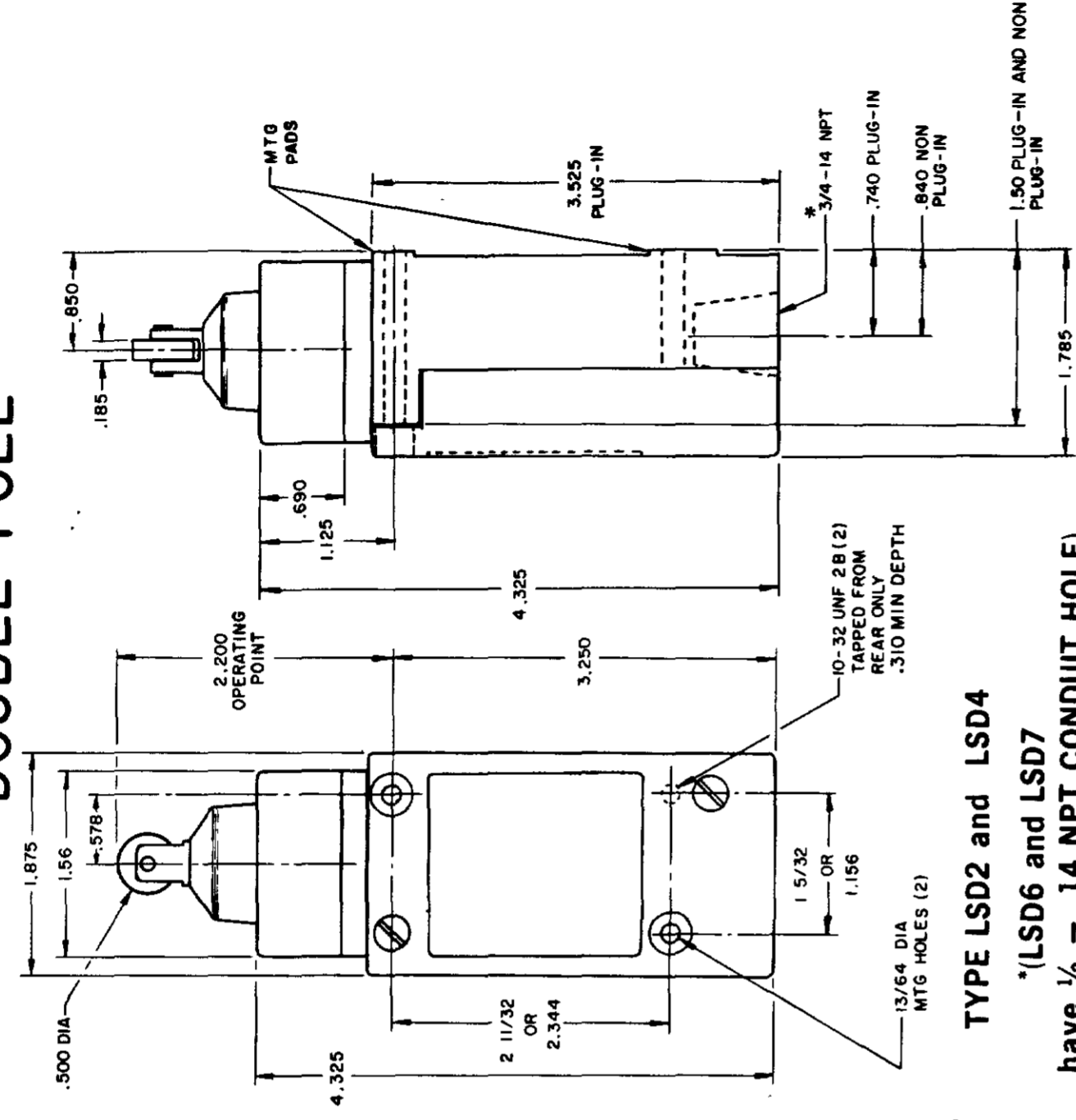
PLUNGER TYPE TOP

SINGLE POLE

DOUBLE POLE

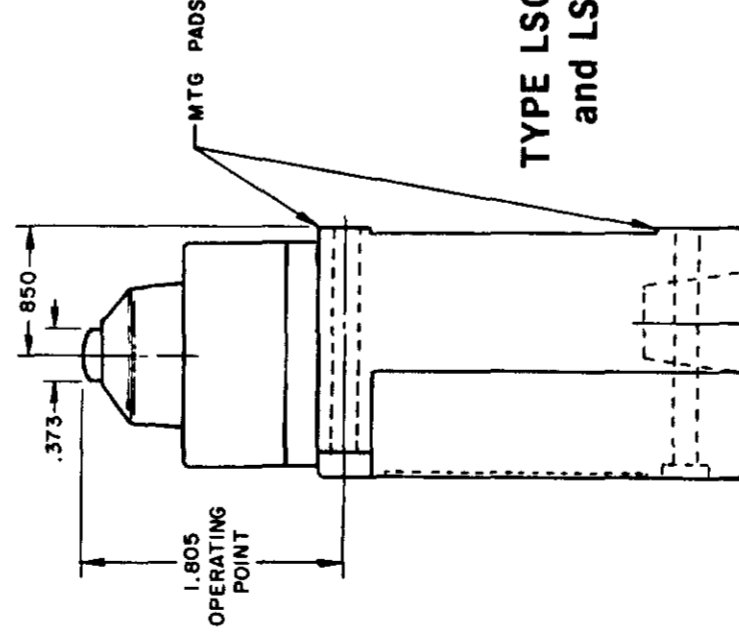


TYPE LSD1 and LSD3

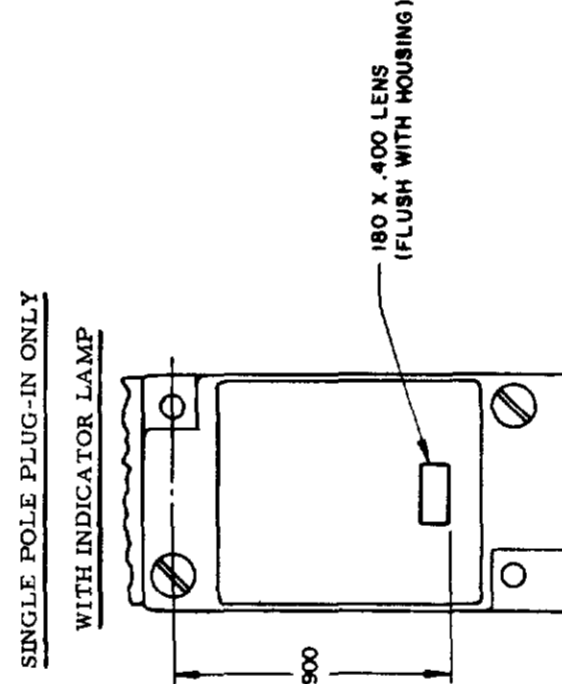


TYPE LSD2 and LSD4

*(LSD6 and LSD7 have 1/2 - 14 NPT CONDUIT HOLE)

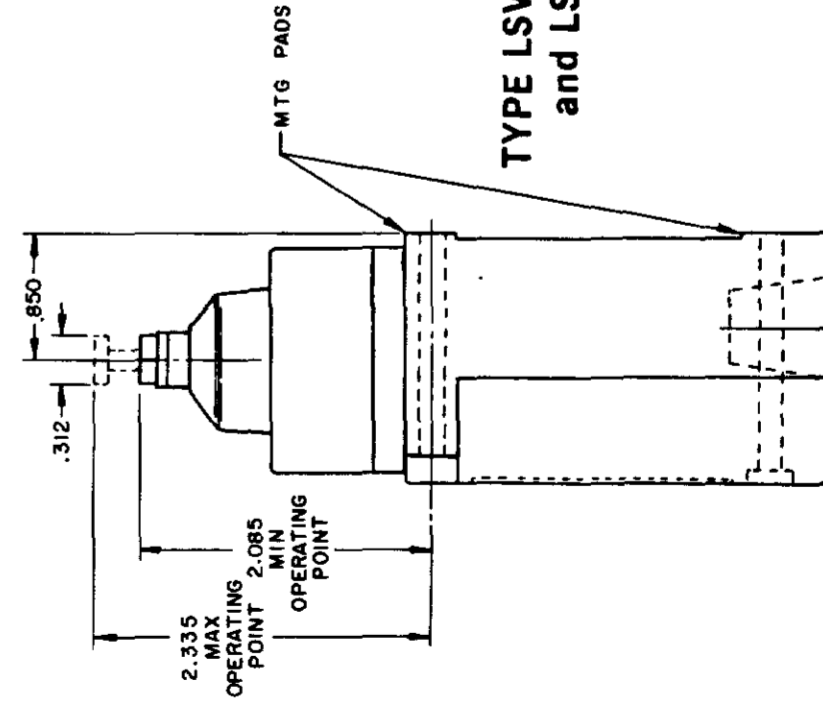


TYPE LSC1 and LSC3

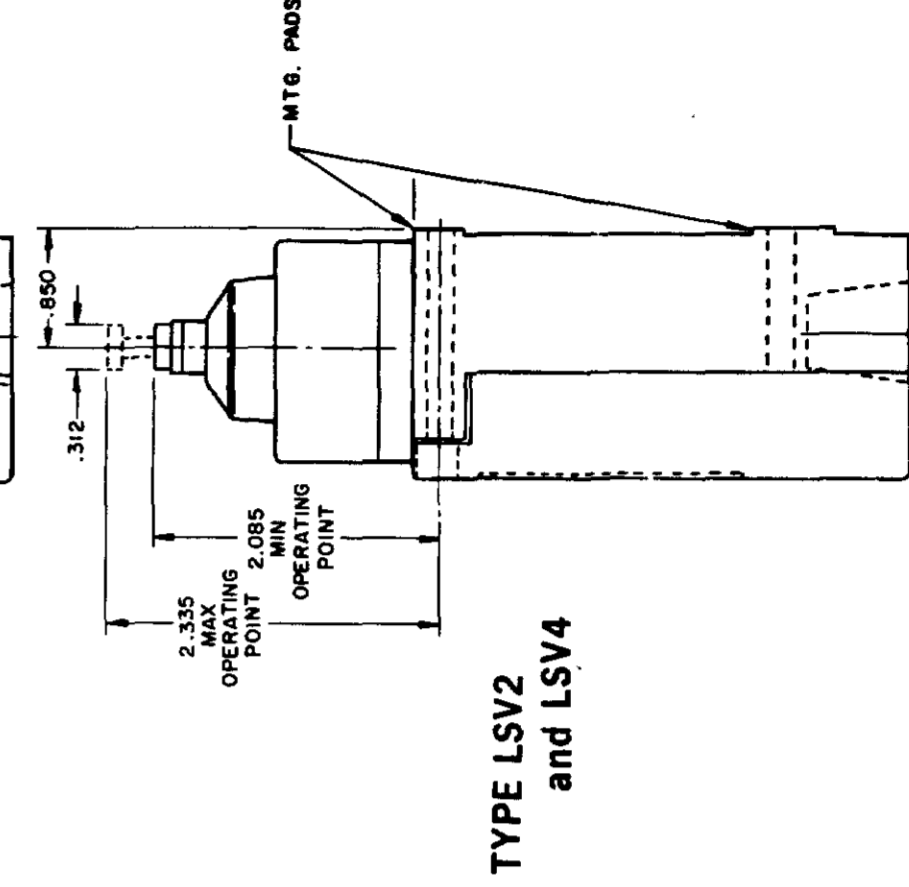


TYPE LSC2 and LSC4

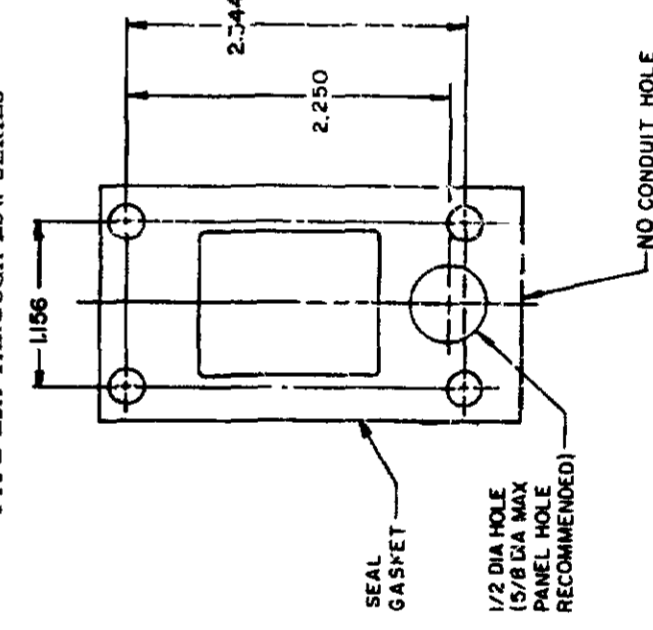
120 LAMP VOLTAGE - TYPE LSC5, LSD5 or LSV5
240 LAMP VOLTAGE - TYPE LSC8, LSD8 or LSV8



TYPE LSV1 and LSV3



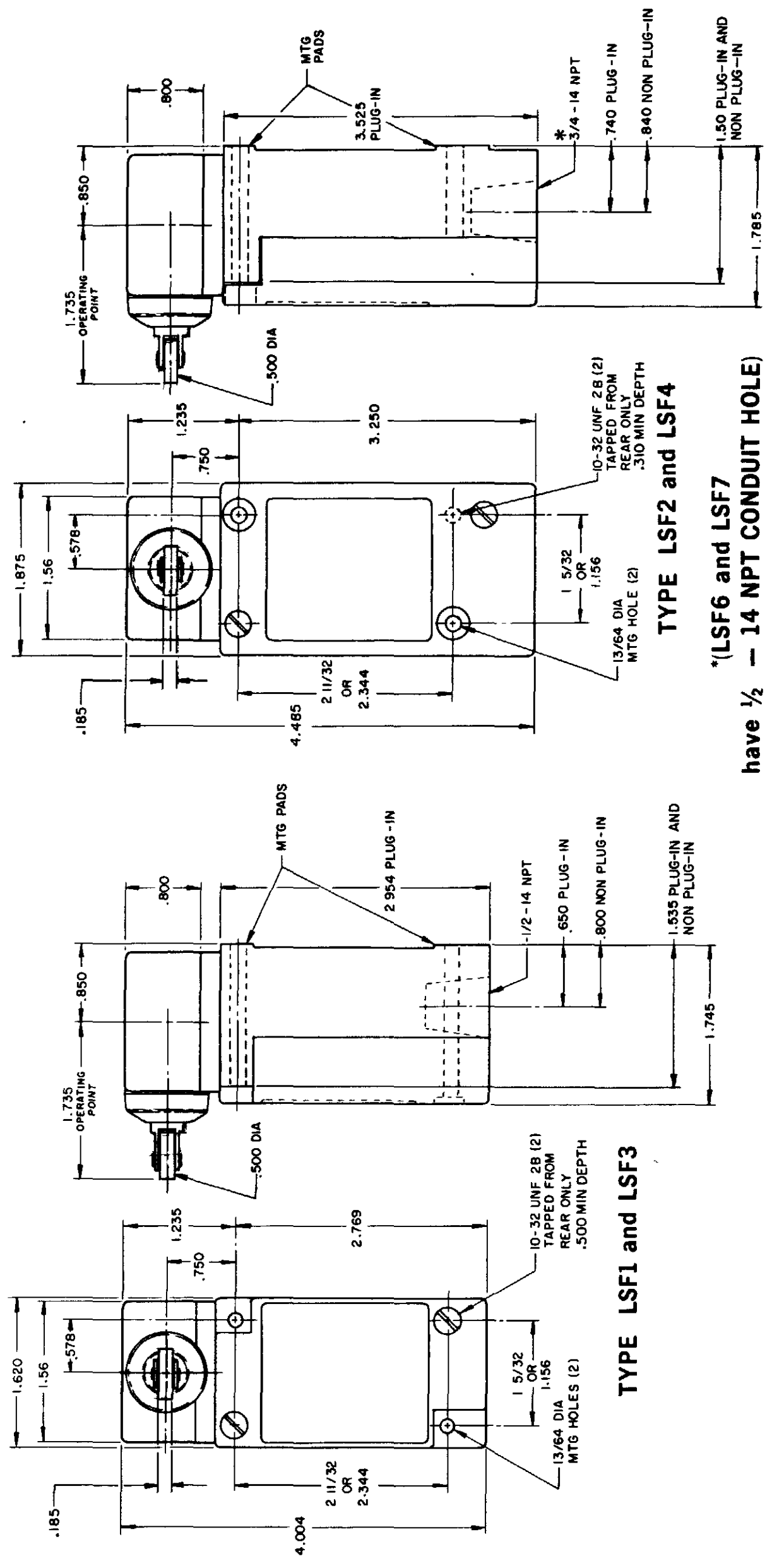
TYPE LSV2 and LSV4



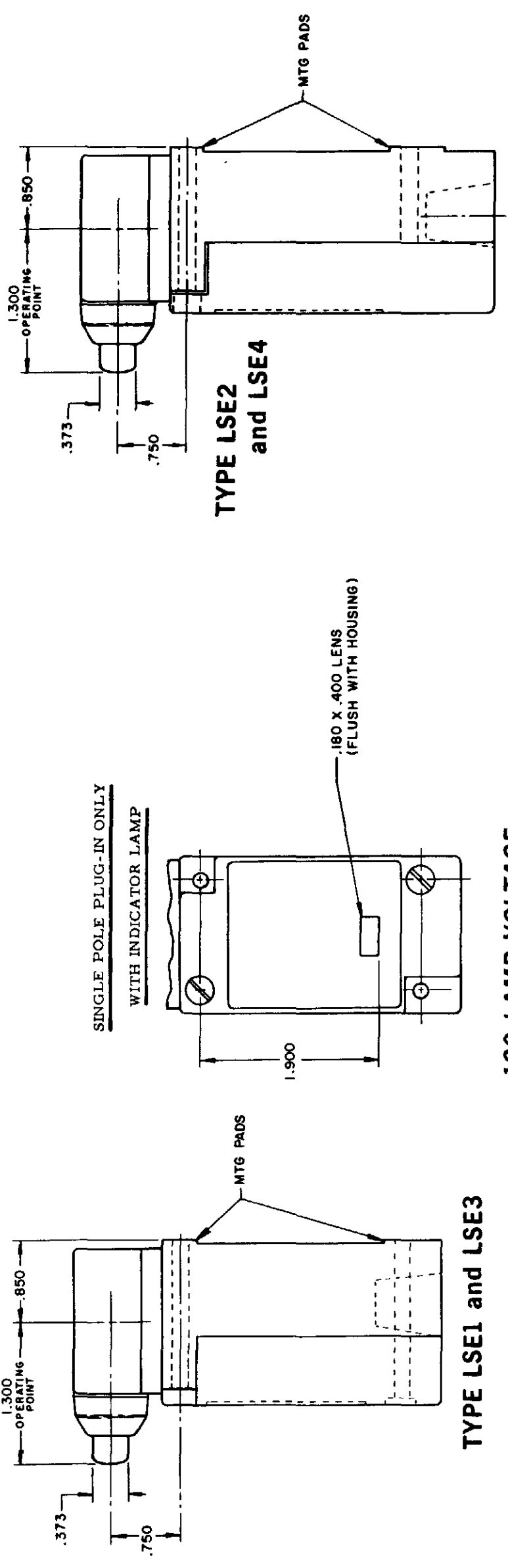
MANIFOLD MOUNT (PLUG-IN ONLY)
SINGLE POLE AND DOUBLE POLE
TYPE LSA THROUGH LSW SERIES

RASTER	15 JUN 94	CHECK	JAF
DRAWN	11 JUL 94	CHECK	AK
MAM	11 AUG 04	CHECK	AK
REV	11 AUG 04	CHECK	AK
1	11 AUG 04	CHECK	AK
2	11 AUG 04	CHECK	AK
3	11 AUG 04	CHECK	AK
4	11 AUG 04	CHECK	AK
5	11 AUG 04	CHECK	AK
6	11 AUG 04	CHECK	AK
7	11 AUG 04	CHECK	AK
8	11 AUG 04	CHECK	AK
9	11 AUG 04	CHECK	AK
10	11 AUG 04	CHECK	AK
11	11 AUG 04	CHECK	AK
12	11 AUG 04	CHECK	AK
13	11 AUG 04	CHECK	AK
14	11 AUG 04	CHECK	AK
15	11 AUG 04	CHECK	AK
16	11 AUG 04	CHECK	AK
17	11 AUG 04	CHECK	AK
18	11 AUG 04	CHECK	AK
19	11 AUG 04	CHECK	AK
20	11 AUG 04	CHECK	AK
21	11 AUG 04	CHECK	AK
22	11 AUG 04	CHECK	AK
23	11 AUG 04	CHECK	AK
24	11 AUG 04	CHECK	AK
25	11 AUG 04	CHECK	AK
26	11 AUG 04	CHECK	AK
27	11 AUG 04	CHECK	AK
28	11 AUG 04	CHECK	AK
29	11 AUG 04	CHECK	AK
30	11 AUG 04	CHECK	AK
31	11 AUG 04	CHECK	AK
32	11 AUG 04	CHECK	AK
33	11 AUG 04	CHECK	AK
34	11 AUG 04	CHECK	AK
35	11 AUG 04	CHECK	AK
36	11 AUG 04	CHECK	AK
37	11 AUG 04	CHECK	AK
38	11 AUG 04	CHECK	AK
39	11 AUG 04	CHECK	AK
40	11 AUG 04	CHECK	AK
41	11 AUG 04	CHECK	AK
42	11 AUG 04	CHECK	AK
43	11 AUG 04	CHECK	AK
44	11 AUG 04	CHECK	AK
45	11 AUG 04	CHECK	AK
46	11 AUG 04	CHECK	AK
47	11 AUG 04	CHECK	AK
48	11 AUG 04	CHECK	AK
49	11 AUG 04	CHECK	AK
50	11 AUG 04	CHECK	AK
51	11 AUG 04	CHECK	AK
52	11 AUG 04	CHECK	AK
53	11 AUG 04	CHECK	AK
54	11 AUG 04	CHECK	AK
55	11 AUG 04	CHECK	AK
56	11 AUG 04	CHECK	AK
57	11 AUG 04	CHECK	AK
58	11 AUG 04	CHECK	AK
59	11 AUG 04	CHECK	AK
60	11 AUG 04	CHECK	AK
61	11 AUG 04	CHECK	AK
62	11 AUG 04	CHECK	AK
63	11 AUG 04	CHECK	AK
64	11 AUG 04	CHECK	AK
65	11 AUG 04	CHECK	AK
66	11 AUG 04	CHECK	AK
67	11 AUG 04	CHECK	AK
68	11 AUG 04	CHECK	AK
69	11 AUG 04	CHECK	AK
70	11 AUG 04	CHECK	AK
71	11 AUG 04	CHECK	AK
72	11 AUG 04	CHECK	AK
73	11 AUG 04	CHECK	AK
74	11 AUG 04	CHECK	AK
75	11 AUG 04	CHECK	AK
76	11 AUG 04	CHECK	AK
77	11 AUG 04	CHECK	AK
78	11 AUG 04	CHECK	AK
79	11 AUG 04	CHECK	AK
80	11 AUG 04	CHECK	AK
81	11 AUG 04	CHECK	AK
82	11 AUG 04	CHECK	AK
83	11 AUG 04	CHECK	AK
84	11 AUG 04	CHECK	AK
85	11 AUG 04	CHECK	AK
86	11 AUG 04	CHECK	AK
87	11 AUG 04	CHECK	AK
88	11 AUG 04	CHECK	AK
89	11 AUG 04	CHECK	AK
90	11 AUG 04	CHECK	AK
91	11 AUG 04	CHECK	AK
92	11 AUG 04	CHECK	AK
93	11 AUG 04	CHECK	AK
94	11 AUG 04	CHECK	AK
95	11 AUG 04	CHECK	AK
96	11 AUG 04	CHECK	AK
97	11 AUG 04	CHECK	AK
98	11 AUG 04	CHECK	AK
99	11 AUG 04	CHECK	AK
100	11 AUG 04	CHECK	AK

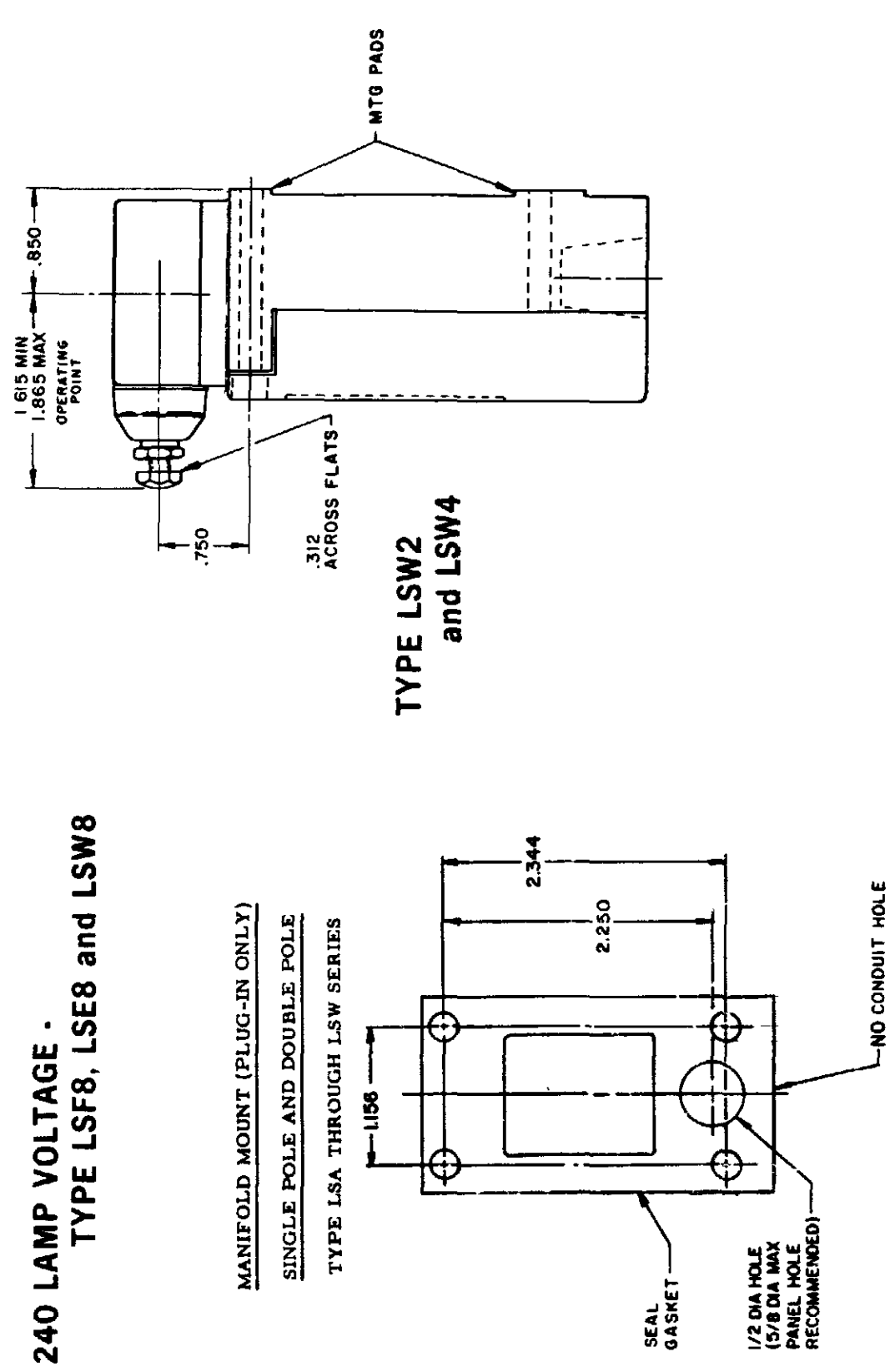
SIDE PLUNGER TYPE
SINGLE POLE **DOUBLE POLE**



TYPE LSF1 and LSF3
TYPE LSF2 and LSF4
 *(LSF6 and LSF7 have 1/2 - 14 NPT CONDUIT HOLE)

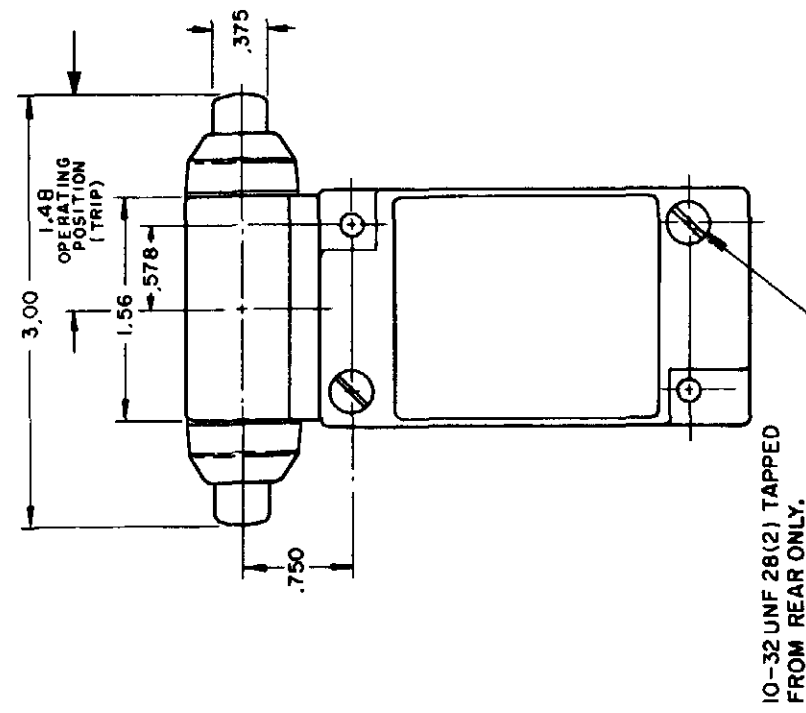


TYPE LSE1 and LSE3
TYPE LSE2 and LSE4
TYPE LSW1 and LSW3
 120 LAMP VOLTAGE - TYPE LSF5, LSE5 and LSW5
 240 LAMP VOLTAGE - TYPE LSF8, LSE8 and LSW8

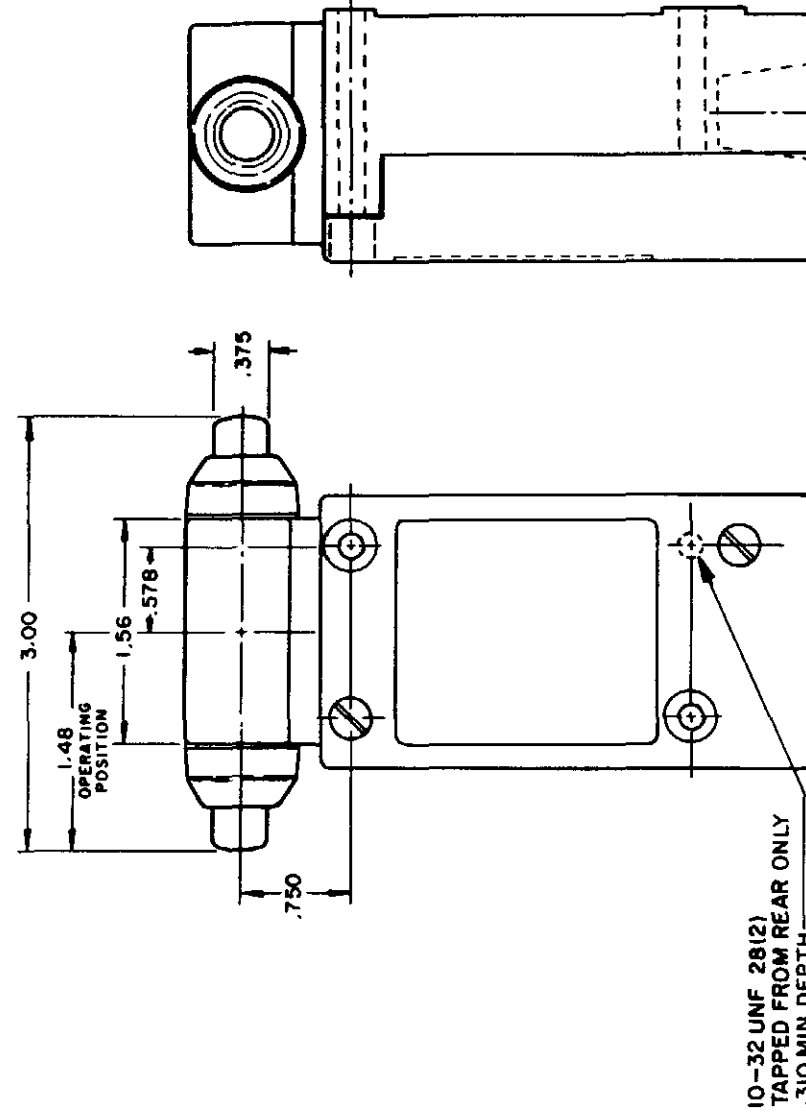


TYPE LSW2 and LSW4
 MANIFOLD MOUNT (PLUG-IN ONLY)
 SINGLE POLE AND DOUBLE POLE
 TYPE LSA THROUGH LSW SERIES

REV	DATE	BY	CHKD	DESCRIPTION
L	0031956			
B	10 JUL 07			
C	201748			
D	202198			
E	204871			
F	206581			
G	206763			
H	207179			
J	207474			
K	0006871			



TYPE LSG1 and LSG3



TYPE LSG2 and LSG4

INITIAL POSITION (FREE POSITION) } PRETRAVEL
 OPERATING POINT } DIFFERENTIAL TRAVEL
 FULL TRAVEL } OVERTRAVEL

TOP PLUNGER TYPES

OPERATING POINT GIVEN IN RELATION TO TOP MOUNTING HOLE

CHARACTERISTICS	LSC PLUNGER		LSD ROLLER PLUNGER		LSV ADJ PLUNGER		SEQUENCE BASIC	
	PRETRAVEL (MAX)	DIFFERENTIAL TRAVEL (MAX)	SINGLE POLE	DOUBLE POLE	SINGLE POLE	DOUBLE POLE	1ST STEP	2ND STEP
PRETRAVEL (MAX)	.070	.070	.070	.070	.070	.070	.070	.070
DIFFERENTIAL TRAVEL (MAX)	.015	.020	.015	.020	.015	.020	.015	.020
OVERTRAVEL (MIN)	.190	.190	.190	.190	.190	.190	.170	.170
OPERATING FORCE (MAX)	4 LBS	4 LBS	4 LBS	4 LBS	4 LBS	4 LBS	4 LBS	4 LBS
OPERATING POINT	1.805 ± .030	2.200 ± .040	2.085 MIN	2.335 MAX	2.085 MIN	2.335 MAX	1.815 ± .030	2.210 ± .040
FULL OVERTRAVEL FORCE (MAX)	7 LBS	7 LBS	7 LBS	7 LBS	7 LBS	7 LBS	7 LBS	7 LBS

SIDE PLUNGER TYPES

OPERATING POINT GIVEN IN RELATION TO CENTER OF HEAD

CHARACTERISTICS	LSE PLUNGER		LSF ROLLER PLUNGER		LSW ADJ PLUNGER		SEQUENCE BASIC	
	PRETRAVEL (MAX)	DIFFERENTIAL TRAVEL (MAX)	SINGLE POLE	DOUBLE POLE	SINGLE POLE	DOUBLE POLE	1ST STEP	2ND STEP
PRETRAVEL (MAX)	.100	.100	.100	.100	.170	.170	.100	.100
DIFFERENTIAL TRAVEL (MAX)	.045	.045	.045	.045	.090	.090	.020	.020
OVERTRAVEL (MIN)	.190	.190	.190	.190	.080	.080	.170	.170
OPERATING FORCE (MAX)	6 LBS	6 LBS	6 LBS	6 LBS	10 LBS	10 LBS	6 LBS	6 LBS
OPERATING POINT	1.300 ± .030	1.735 ± .040	ADJUSTABLE FROM	ADJUSTABLE FROM	1.480 ± .030	1.480 ± .030	1.310 ± .030	1.745 ± .040
FULL OVERTRAVEL FORCE (MAX)	6 LBS	6 LBS	6 LBS	6 LBS	10 LBS	10 LBS	6 LBS	6 LBS

MICRO SWITCH
a Honeywell Division

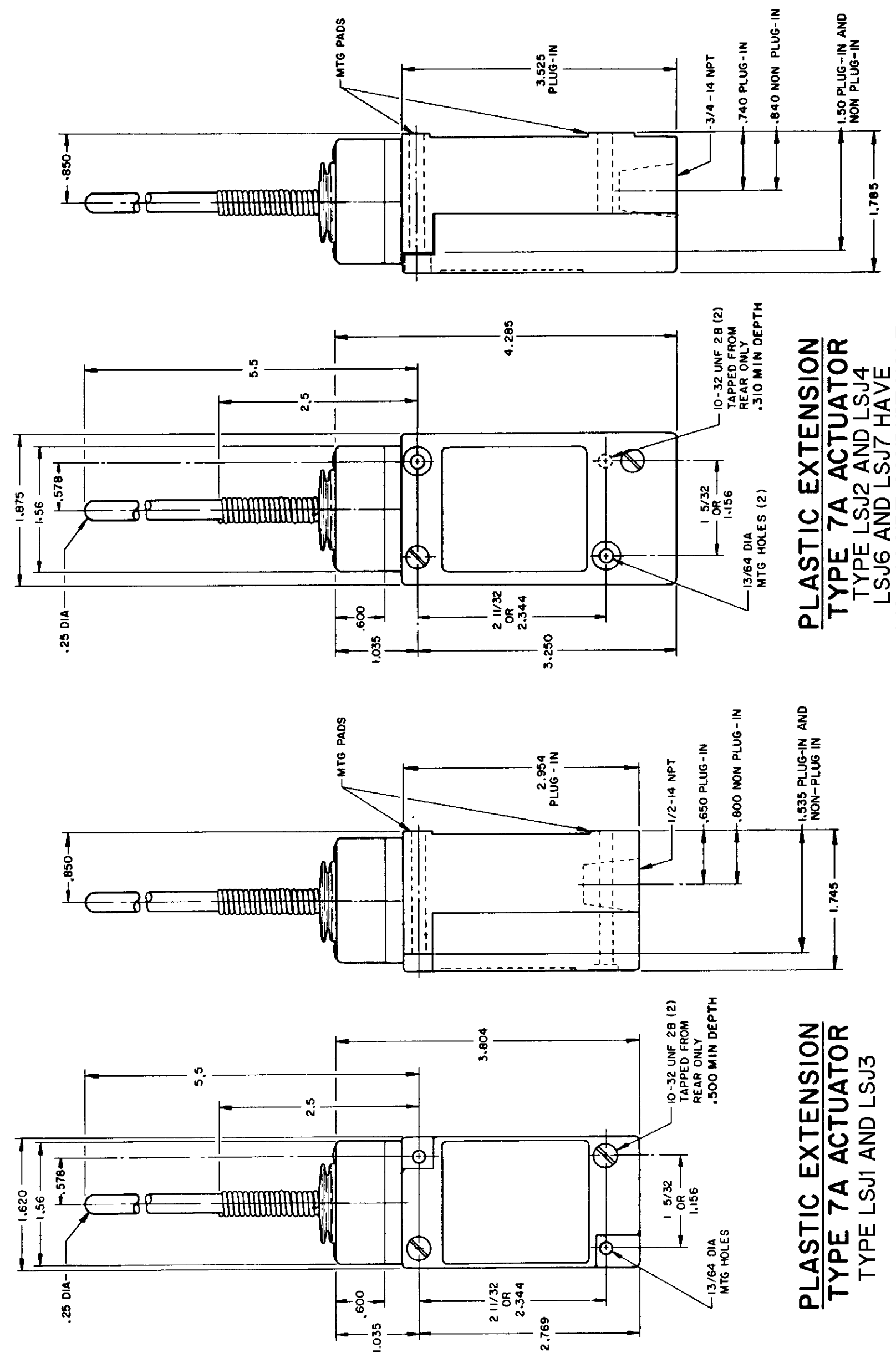
SWITCH - ENCLOSED

CATALOG LISTING
LSA-LSW SERIES
CHART 1

SCALE NONE
DO NOT SCALE PRINT
DIMENSIONS ARE IN INCHES
TOLERANCES
ONE PLACE (.0)
TWO PLACE (.00)
THREE PLACE (.000)
ANGLES
WEIGHT

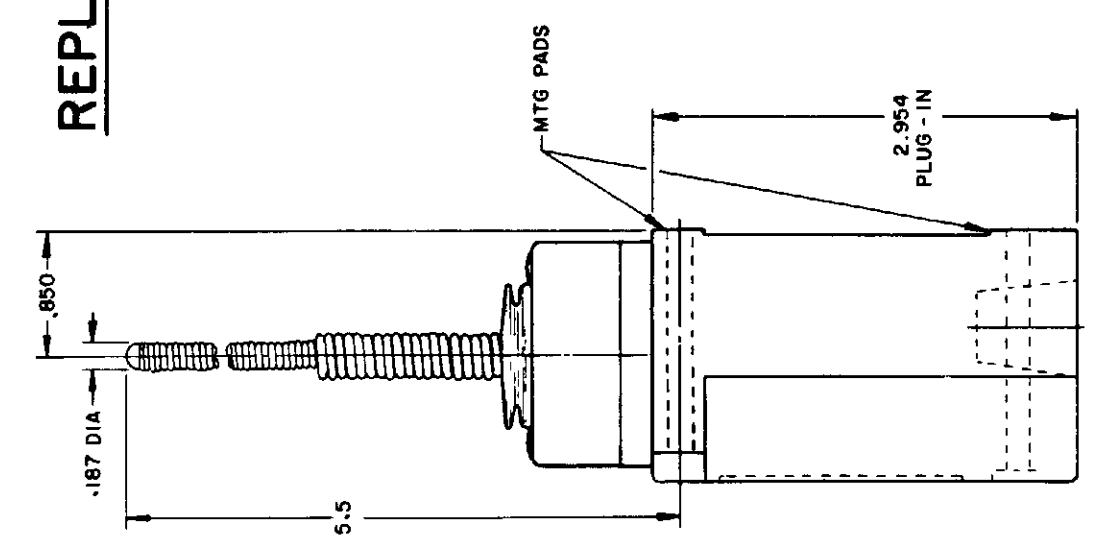
WOBBLE STICK

SINGLE POLE **DOUBLE POLE**

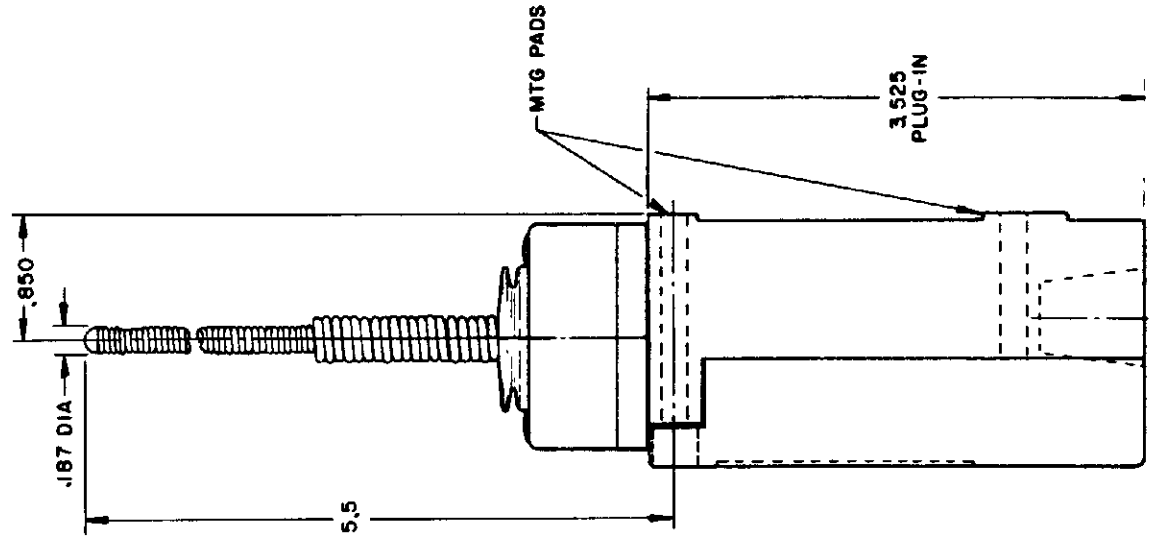


**PLASTIC EXTENSION
 TYPE 7A ACTUATOR**
 TYPE LSJ1 AND LSJ3

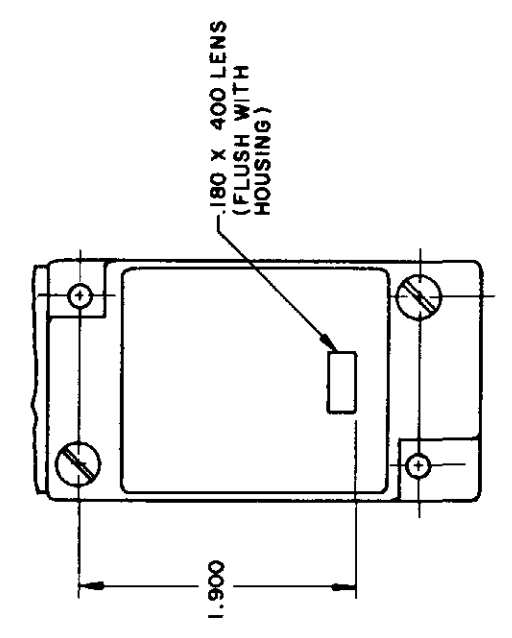
**PLASTIC EXTENSION
 TYPE 7A ACTUATOR**
 TYPE LSJ2 AND LSJ4
 LSJ6 AND LSJ7 HAVE
 1/2 - 14 NPT CONDUIT HOLE



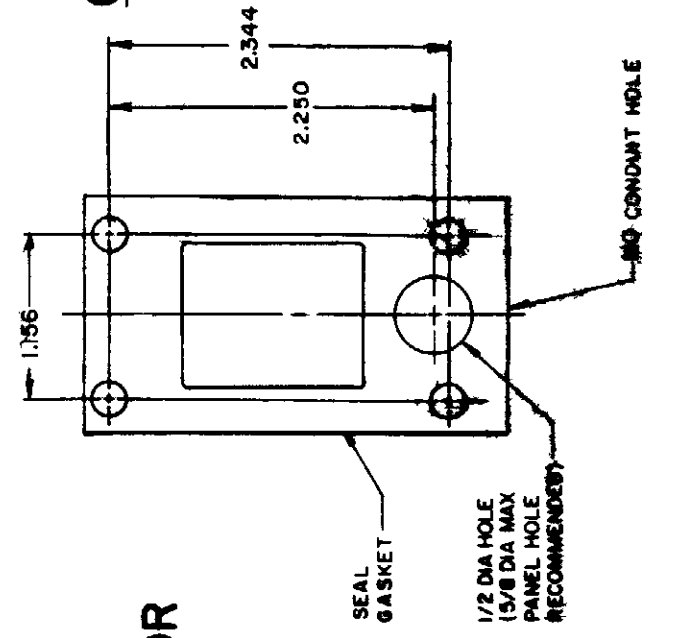
**REPLACEMENT ACTUATOR
 LSZ-4009**



**SINGLE POLE PLUG-IN ONLY
 WITH INDICATOR LAMP**



**120 LAMP VOLTAGE TYPE LSJ5
 240 LAMP VOLTAGE TYPE LSJ8
 24 LED VOLTAGE TYPE LSJ9**



**CABLE EXTENSION
 TYPE 7N ACTUATOR**

**CABLE EXTENSION
 TYPE 7N ACTUATOR**

**MANIFOLD MOUNT (PLUG-IN ONLY)
 SINGLE POLE AND DOUBLE POLE
 TYPE LSA THROUGH LSW SERIES**

**REPLACEMENT ACTUATOR
 LSZ-4011**

THIS DRAWING COVERS A PROPRIETARY ITEM AND IS THE PROPERTY OF MICRO SWITCH, A DIVISION OF HONEYWELL. THIS DRAWING IS NOT TO BE COPIED OR USED WITHOUT THE APPROVAL OF MICRO SWITCH.

MICRO SWITCH
 a Honeywell Division

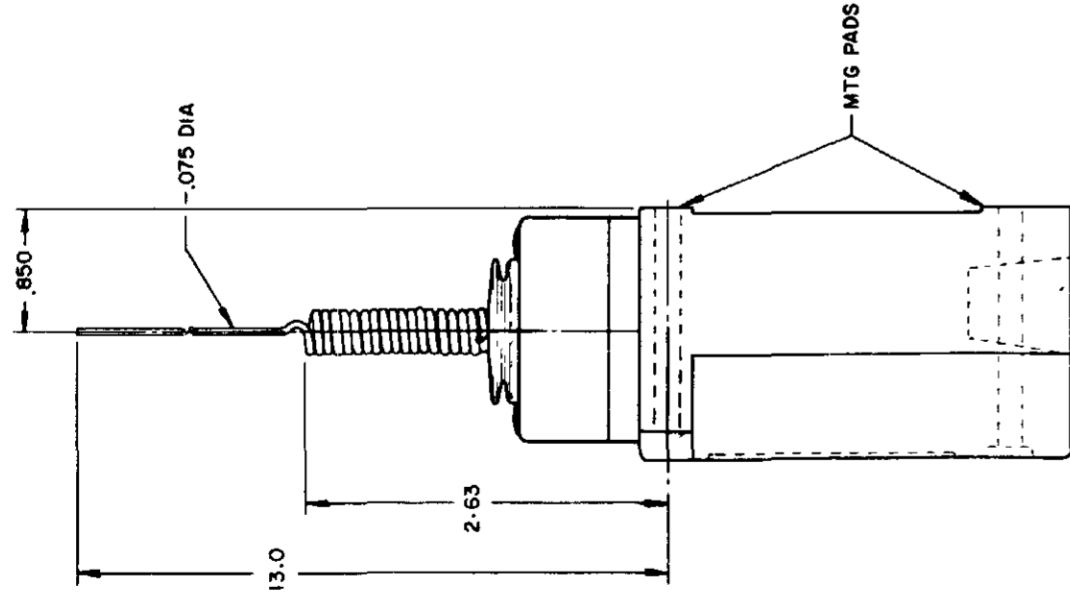
SWITCH - ENCLOSED

CATALOG LISTING
**LSA-LSW SERIES
 CHART 1**

FED MFG CODE 91929

REVISIONS

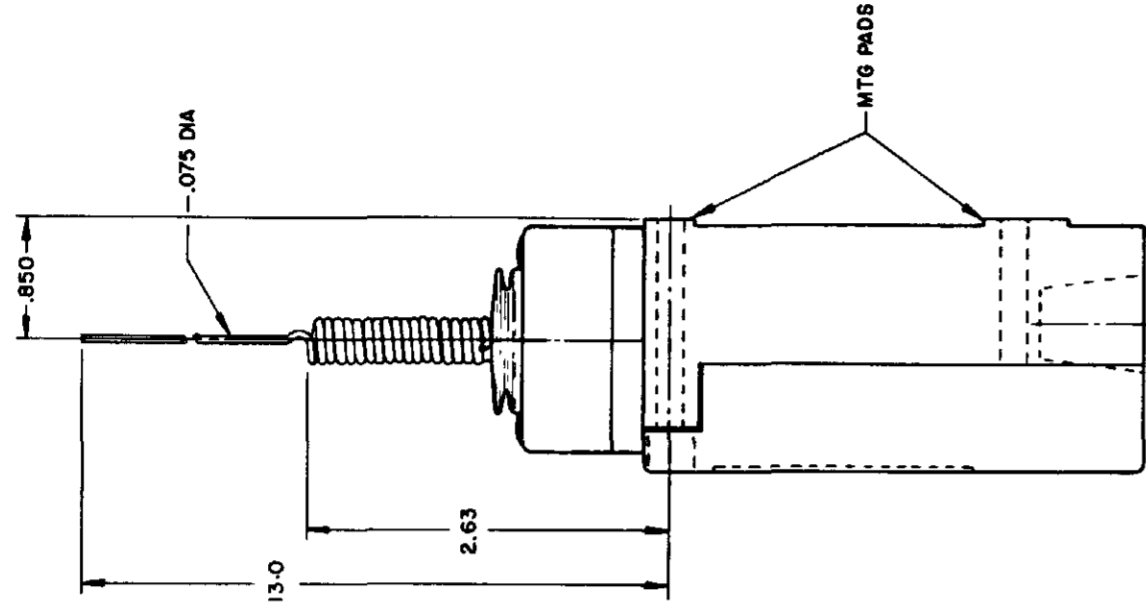
L	0031956
B	201004
C	201748
D	202198
E	204871
F	206581
G	206763
H	207179
J	207474
K	0006871



WIRE EXTENSION TYPE 7M ACTUATOR

TYPE LSJ1 and LSJ3

REPLACEMENT ACTUATOR - LSZ 4010

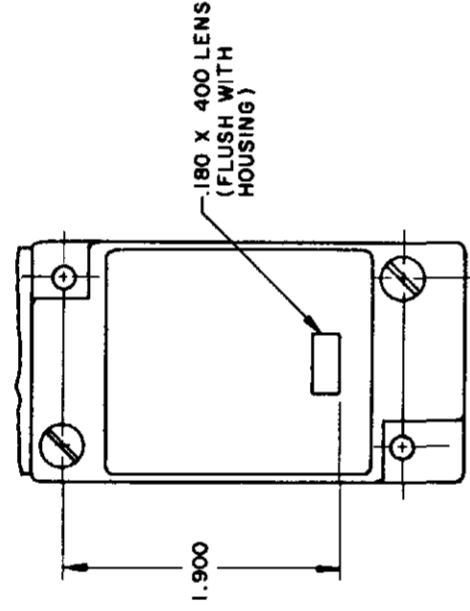


WIRE EXTENSION TYPE 7M ACTUATOR

TYPE LSJ2 and LSJ4

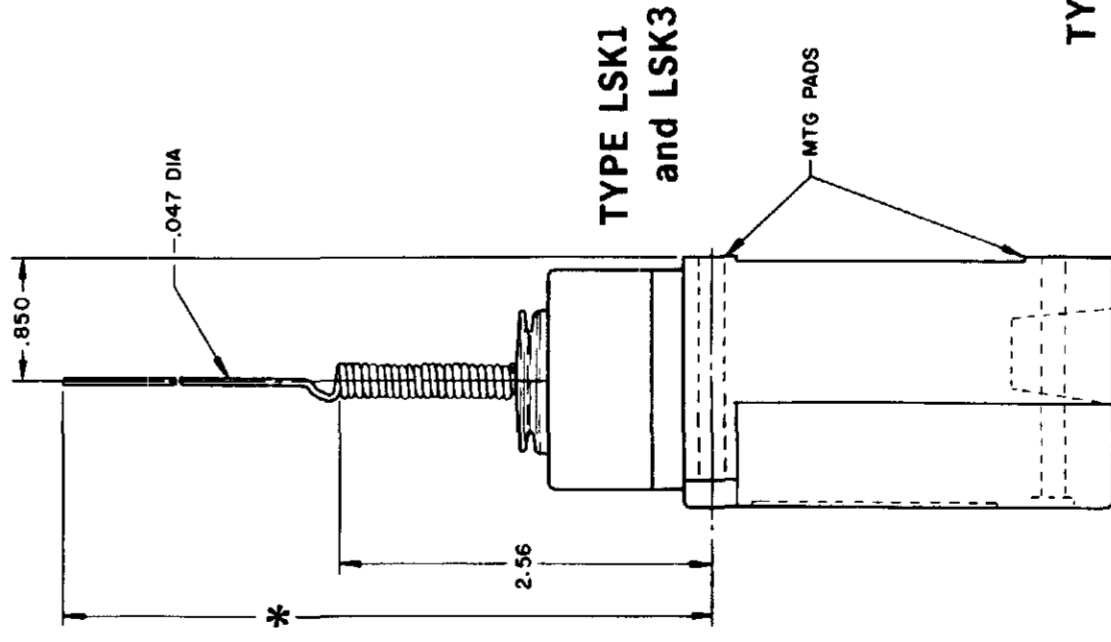
LSJ6 and LSJ7 have 1/2 - 14 NPT CONDUIT HOLE

SINGLE POLE PLUG-IN ONLY
WITH INDICATOR LAMP



120 LAMP VOLTAGE TYPE LSJ5
240 LAMP VOLTAGE TYPE LSJ8

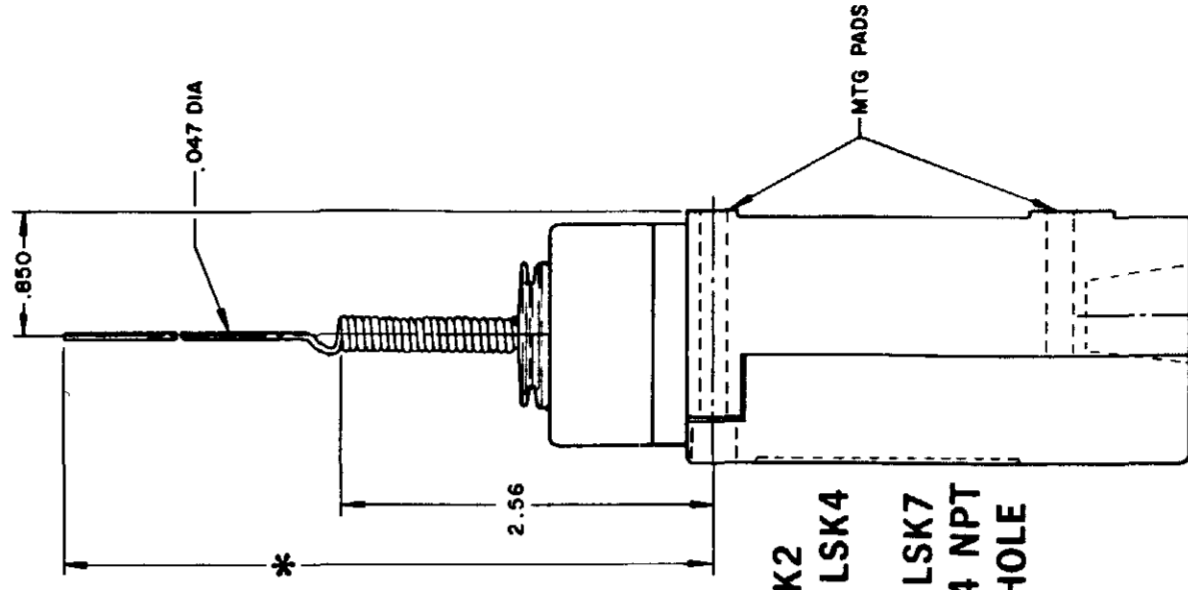
SINGLE POLE



TYPE LSK1
and LSK3

CAT WHISKER

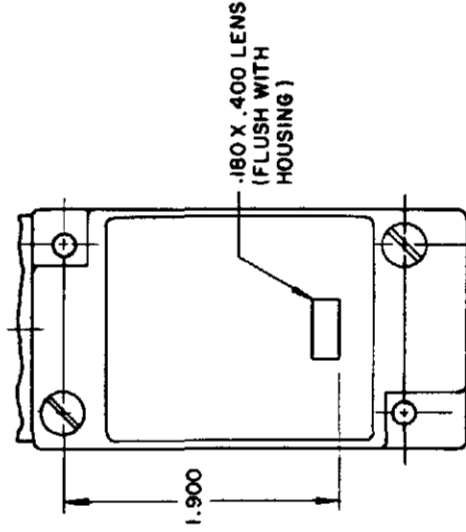
DOUBLE POLE



TYPE LSK2
and LSK4

LSK6 and LSK7
have 1/2 - 14 NPT
CONDUIT HOLE

SINGLE POLE PLUG-IN ONLY
WITH INDICATOR LAMP



120 LAMP VOLTAGE
TYPE LSK5 - CAT WHISKER TYPE LSB5 - TOP ROTARY
240 LAMP VOLTAGE
TYPE LSK8 - CAT WHISKER TYPE LSB8 - TOP ROTARY

*** WIRE EXTENSION REPLACEMENT ACTUATOR**

TYPE 8A ACTUATOR 5.5 IN.-LSZ 4012
TYPE 8B ACTUATOR 7.5 IN.-LSZ 4013
TYPE 8C COIL ACTUATOR 5.5 IN.-LSZ 4014
ACTUATOR 9.5 IN. - LSZ4036

WIRE EXTENSION

*TYPE 8A ACTUATOR 5.5 IN.
TYPE 8B ACTUATOR 7.5 IN.
TYPE 8C ACTUATOR 5.5 IN.
TYPE 8D ROD ACTUATOR 5.5 IN.

SCALE NONE
DO NOT SCALE PRINT

THIS DRAWING COVERS A PROPRIETARY ITEM AND IS THE PROPERTY OF MICRO SWITCH A DIVISION OF HONEYWELL THIS DRAWING IS NOT TO BE COPIED OR USED WITHOUT THE APPROVAL OF MICRO SWITCH

MICRO SWITCH
a Honeywell Division

SWITCH - ENCLOSED

CATALOG LISTING
LSA-LSW SERIES
CHART 1

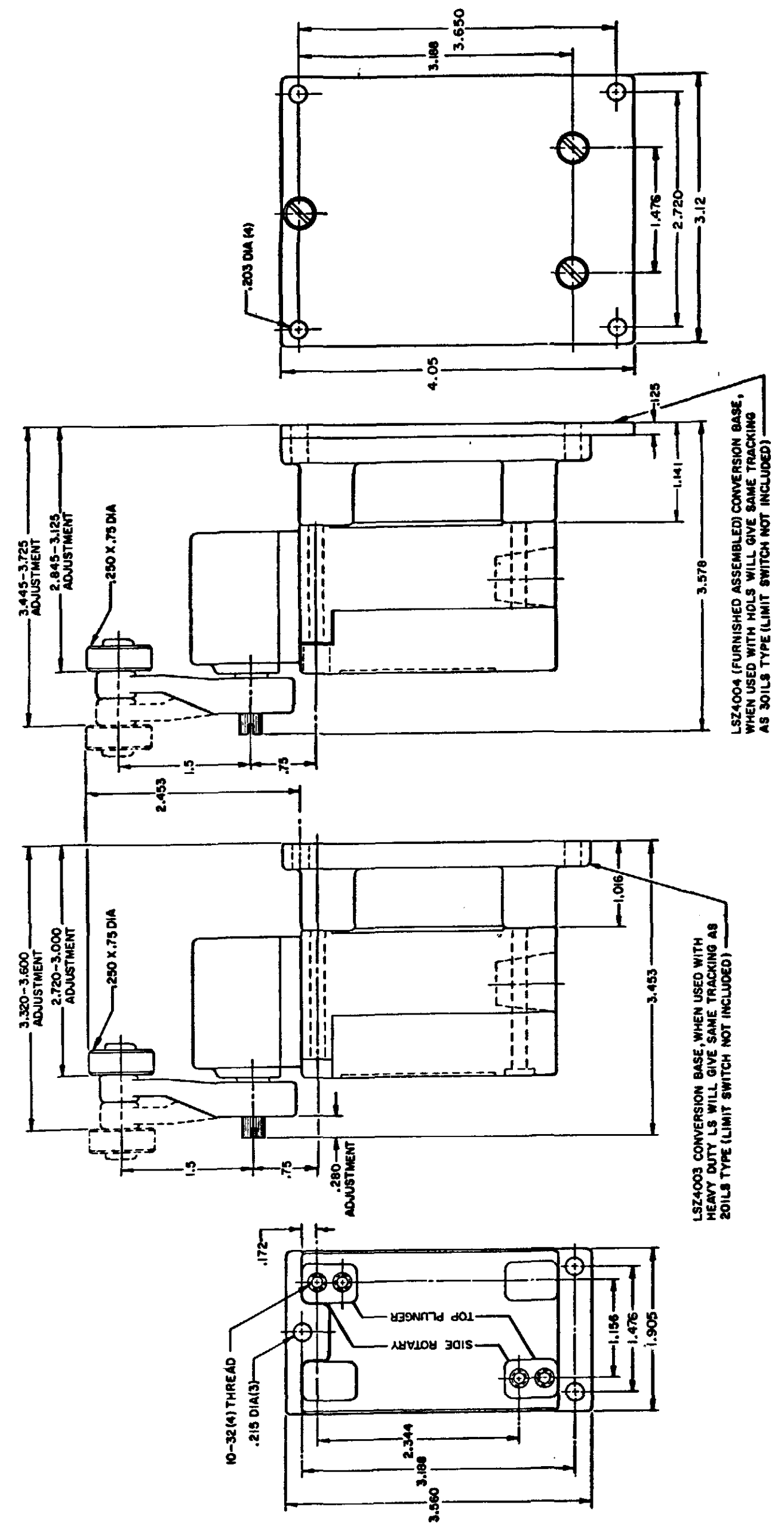
PRE-TRAVEL (APPROX) IN. RADIUS	CAT. WHISKER		WOBBLE STICK	
	5/16" WIRE	7/16" WIRE	ROD	CABLE
2	2	4.5	1.0	1.5
OPERATING FORCE-OZ (MAX)	7.0	5.0	3.0	10.0
				7.0
				5.0

ISSUE	12	PSR	10JUL07	RELEASE NO	CO-78498	REPLACES	LSA-LSW SERIES
CATALOG LISTING	LSA-LSW SERIES CHART 1						
REVISIONS	PAGE 9 OF 10						
L	0031956	BS	10JUL07	11AUG04	AK	11AUG04	check
B	201004	CS	10AUG00	AK	11AUG04	AK	check
C	201748	CS	23JAN01	AK	11AUG04	AK	check
D	202198	CS	23JAN01	AK	11AUG04	AK	check
E	204871	CS	23JAN01	AK	11AUG04	AK	check
F	206581	CS	23JAN01	AK	11AUG04	AK	check
G	206763	CS	23JAN01	AK	11AUG04	AK	check
H	207179	CS	23JAN01	AK	11AUG04	AK	check
J	207474	CS	23JAN01	AK	11AUG04	AK	check
K	0006871	CS	23JAN01	AK	11AUG04	AK	check
RASTER	DRAWN MAM 15 JUN 94 check JAF 11 JUL 94 check						

CONVERSION BASES

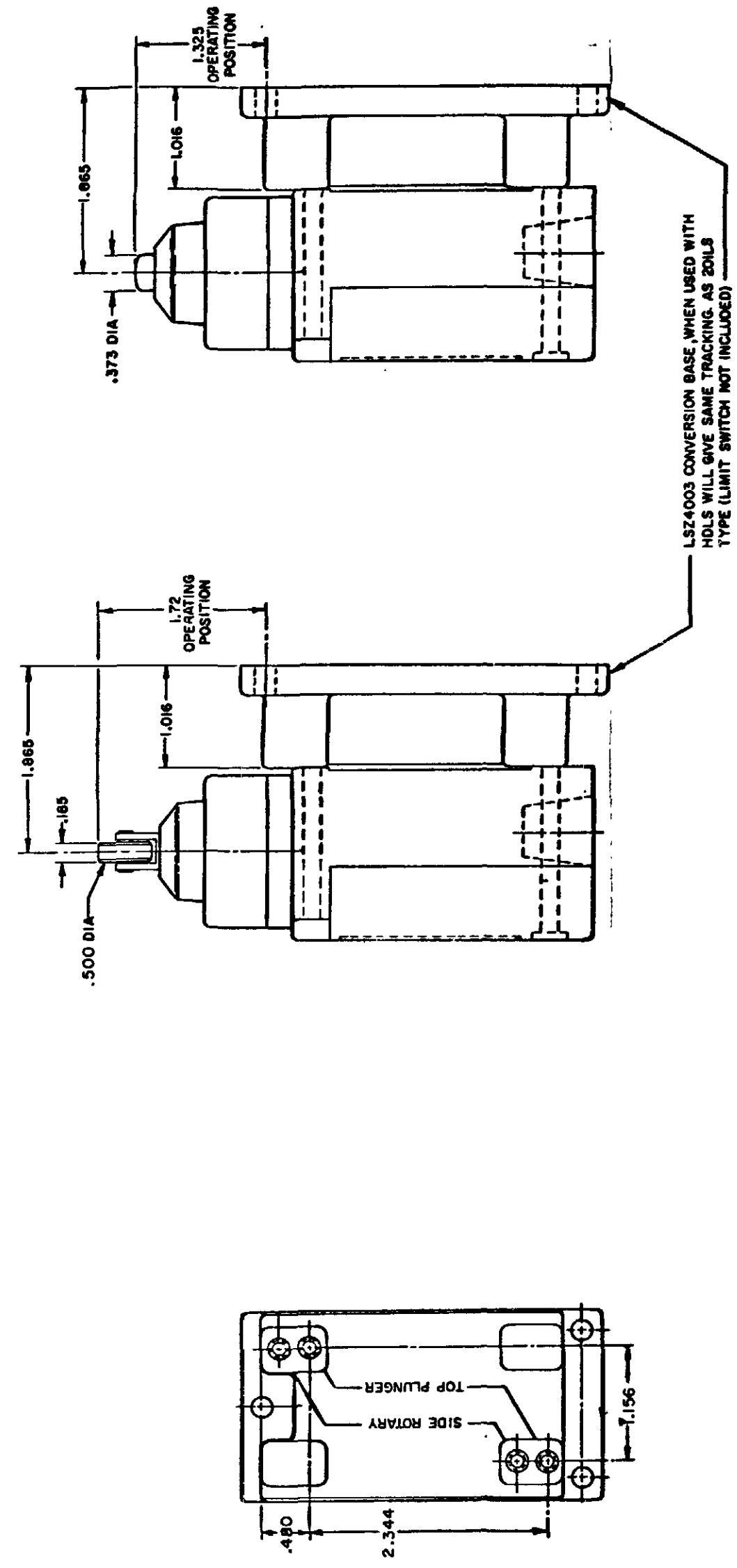
SINGLE POLE (SIDE ROTARY) LSZ 4003

DOUBLE POLE (SIDE ROTARY) LSZ 4004



NOTE
SEE OTHER PAGES OF LSA-LSW
(M) DRAWING FOR DIMENSION OF LIMITS

SINGLE POLE TOP PLUNGER LSZ 4003



NOTE
SEE OTHER PAGES OF LSA-LSW
(M) DRAWING FOR DIMENSION OF LIMIT SWITCH

THIS DRAWING COVERS A PROPRIETARY ITEM AND IS THE PROPERTY OF MICRO SWITCH, A DIVISION OF HONEYWELL. THIS DRAWING IS NOT TO BE COPIED OR USED WITHOUT THE APPROVAL OF MICRO SWITCH.

MICRO SWITCH
a Honeywell Division

SWITCH - ENCLOSED

CATALOG LISTING
LSA-LSW SERIES
CHART 1

SCALE FULL
DO NOT SCALE PRINT

PAGE 9 OF 10

FED MFG CODE 91829

HEAD TYPE	CELLULOSE	DETERGENT	5 STAR	ASTM #1	ASTM #2	ASTM #3	ASTM #4	HOUGHTON SAFE 271	HOUGHTON SAFE 820	HOUGHTON SAFE 1010, 1055	MINERAL OIL	PETR. OIL CRUDE	SILICON GR & OIL	SUNSAFE	BEER	STODDARD SOLV.	CHLORINATED SOLVENTS	CITRIC ACID	D-ESTER SYN. LUBRICANTS	OZONE	HYDRAUL	PROGUARD	PETRO. BASE HYDRAULIC OIL	LARD OIL	SILICATE ESTERS
LSA	4	1	1	1	1	2	1	4	1	1	1	1	1	1	4	1	2	4	4	4	4	1	1	2	
LSB	4	1	1	1	1	2	1	4	1	1	1	1	1	1	4	1	2	4	4	4	4	1	1	2	
LSC	4	2	2	1	2	4	4	2	4	2	2	1	2	1	2	4	1	4	3	4	4	2	2	2	
LSD	4	2	2	1	2	4	4	2	4	2	2	1	2	1	2	4	1	4	3	4	4	2	2	2	
LSE	4	2	2	1	2	4	4	2	4	2	2	1	2	1	2	4	1	4	3	4	4	2	2	2	
LSF	4	2	2	1	2	4	4	2	4	2	2	1	2	1	2	4	1	4	2	4	4	2	2	2	
LSG	4	2	2	1	2	4	4	2	4	2	2	1	2	1	2	4	1	4	3	4	4	2	2	2	
LSH	4	1	1	1	1	2	1	4	1	1	1	1	1	1	4	1	2	4	4	4	4	1	1	2	
LSJ	4	2	2	1	2	4	4	2	4	2	2	1	2	1	2	4	1	4	3	4	4	2	2	2	
LSK	4	2	2	1	2	4	4	2	4	2	2	1	2	1	2	4	1	4	3	4	4	2	2	2	
LSL	4	1	1	1	1	2	1	4	1	1	1	1	1	1	4	1	2	4	4	4	4	1	1	2	
LSM	4	1	1	1	1	2	1	4	1	1	1	1	1	1	4	1	2	4	4	4	4	1	1	2	
LSN	4	1	1	1	1	2	1	4	1	1	1	1	1	1	4	1	2	4	4	4	4	1	1	2	
LSP	4	1	1	1	1	2	1	4	1	1	1	1	1	1	4	1	2	4	4	4	4	1	1	2	
LSR	4	1	1	1	1	2	1	4	1	1	1	1	1	1	4	1	2	4	4	4	4	1	1	2	
LSV	4	2	2	1	2	4	4	2	4	2	2	1	2	1	2	4	1	4	3	4	4	2	2	2	
LSW	4	2	2	1	2	4	4	2	4	2	2	1	2	1	2	4	1	4	2	4	4	2	2	2	
LST	UNSEALED DEVICE, INTENDED TO MEET NEMA 1 ONLY																								
LSS	UNSEALED DEVICE, INTENDED TO MEET NEMA 1 ONLY																								

CODE: 1 SATISFACTORY 2 FAIR 3 DOUBTFUL 4 UNSATISFACTORY

TYPES	LOW LIMIT	HIGH LIMIT
LSA	+10°F	+250°F
LSB	+30°F	+250°F
LSC	+10°F	+200°F
LSD	+10°F	+200°F
LSE	+10°F	+200°F
LSF	+10°F	+200°F
LSG	+30°F	+200°F
LSH	+30°F	+250°F
LSJ	+10°F	+200°F
LSK	+10°F	+200°F
LSL	+10°F	+250°F
LSM	+30°F	+250°F
LSN	+30°F	+250°F
LSP	+10°F	+250°F
LSR	+30°F	+250°F
LSV	+10°F	+200°F
LSW	+10°F	+200°F
LST	+30 F	+170°F
LSS	+30°F	+170°F

CATALOG LISTING
M LSA-LSW SERIES CHART 1
 PAGE 10 OF 10
 ISSUE 12
 PSR 10JUL07
 CHECK 11AUG04
 REVISIONS:
 L 0031956 BS 10JUL07
 B 201004 CS 10 AUG 00
 C 201748 CS 17 NOV 00
 D 202198 CS 23 JAN 01
 E 204871 G J W FEB 02
 F 206581 GLH 14 OCT 02
 G 206783 CS 31 OCT 02
 H 207179 GLH 14 JAN 03
 J 207474 TSM 18 FEB 03
 K 0006871 KR 11AUG04
 DRAWN MAM 15 JUN 94
 CHECK JAF 11 JUL 94
 RASTER

THIS DRAWING COVERS A PROPRIETARY ITEM AND IS THE PROPERTY OF MICRO SWITCH A DIVISION OF HONEYWELL THIS DRAWING IS NOT TO BE COPIED OR USED WITHOUT THE APPROVAL OF MICRO SWITCH

MICRO SWITCH
a Honeywell Division

SWITCH - ENCLOSED

LSA-LSW SERIES
CHART 1

FED. MFG. CODE 91929

CATALOG LISTING

PAGE 10 OF 10

SCALE